

# DRAWER LOCK

## 19 MM AND 22 MM NOZZLE LENGTHS

### Applications

This lock is ideal for use on drawers.

Rotating the key 180° results in 9 mm vertical bolt movement.

The lock fits into a 19.1 mm diameter hole from the rear of a panel. Screws then secure the lock from the back.



A/PB1V

### Specifications

- Zinc alloy diecast housing
- Single-entry keying - 01 and 02
- Double-entry keying - 07, 08, 17 and 18
- Key removable in locked and unlocked positions
- Pressed steel back plate - passivated
- Vertical bolt operation
- Zinc-plated steel bolt
- Stainless steel capped barrel
- Optional bezel - refer to page B101
- One pair of nickel-plated keys per lock

### Code Information

#### KEY SERIES - PB1V 19 mm (suits 16 mm board)

- 01 200 combinations - non-master keying
- 02 200 combinations - master keying

#### KEY SERIES - PB2V 22 mm (suits 19 mm board)

- 01 200 combinations - non-master keying
- 02 200 combinations - master keying
- 07 500 combinations - non-master keying
- 08 500 combinations - master keying
- 17 2000 combinations - non-master keying
- 18 2000 combinations - master keying

#### FINISH

- 3 Bright chrome
- 9 Nickel

#### MOVEMENT

- B 180° clockwise or anti-clockwise to unlock

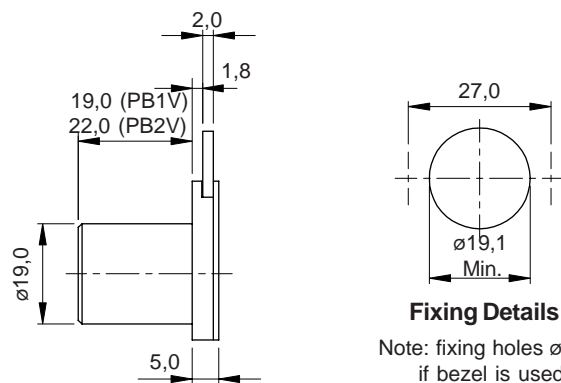
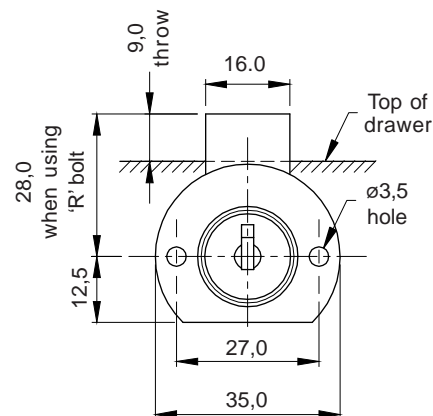
#### BOLT PROJECTION

- R Round face
- F Flat face

#### BOLT TYPE

- Refer to page B101

#### Dimensions/Fixing shown NTS



#### Measurements shown in mm

### Ordering Details

- STEP 1      STEP 2      STEP 3      STEP 4
- A / PB1V / KEY SERIES / FINISH + MOVEMENT / - BOLT PROJECTION + BOLT TYPE (19 mm nozzle)
- A / PB2V / KEY SERIES / FINISH + MOVEMENT / - BOLT PROJECTION + BOLT TYPE (22 mm nozzle)

Ordering example: A / P B 1 V / 0 1 / 3 B / - R R

- ADVISE      Keying requirements, e.g. keyed alike

# CUPBOARD LOCK

## 19 MM AND 22 MM NOZZLE LENGTHS

### Applications

This lock is ideal for use on cupboards.

Rotating the key 180° results in 9 mm horizontal bolt movement.

The lock fits into a 19.1 mm diameter hole from the rear of a panel. Screws then secure the lock from the back.

### Specifications

- Zinc alloy diecast housing
- Single-entry keying - 01 and 02
- Double-entry keying - 07, 08, 17 and 18
- Key removable in locked and unlocked positions
- Pressed steel back plate - passivated
- Horizontal bolt operation
- Zinc-plated steel bolt
- Stainless steel capped barrel
- Optional bezel - refer to page B101
- One pair of nickel-plated keys per lock

### Code Information

#### KEY SERIES - PB1L and PB1R 19 mm

- 01 200 combinations - non-master keying
- 02 200 combinations - master keying

#### KEY SERIES - PB2L and PB2R 22 mm

- 01 200 combinations - non-master keying
- 02 200 combinations - master keying
- 07 500 combinations - non-master keying
- 08 500 combinations - master keying
- 17 2000 combinations - non-master keying
- 18 2000 combinations - master keying

#### FINISH

- 3 Bright chrome
- 9 Nickel

#### MOVEMENT

- B 180° clockwise to unlock - left edge bolt
- B 180° anti-clockwise to unlock - right edge bolt

#### BOLT PROJECTION

- R Round face
- F Flat face

#### BOLT TYPE

- Refer to page B101

### Ordering Details

- STEP 1**    **STEP 2**    **STEP 3**    **STEP 4**
- A/PB1L/KEY SERIES/FINISH + MOVEMENT/- BOLT PROJECTION + BOLT TYPE (19 mm left edge bolt)
- A/PB1R/KEY SERIES/FINISH + MOVEMENT/- BOLT PROJECTION + BOLT TYPE (19 mm right edge bolt)
- A/PB2L/KEY SERIES/FINISH + MOVEMENT/- BOLT PROJECTION + BOLT TYPE (22 mm left edge bolt)
- A/PB2R/KEY SERIES/FINISH + MOVEMENT/- BOLT PROJECTION + BOLT TYPE (22 mm right edge bolt)

Ordering example: A / P B 1 L / 0 1 / 3 B / - R R

- ADVISE    Keying requirements, e.g. keyed alike

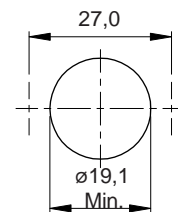
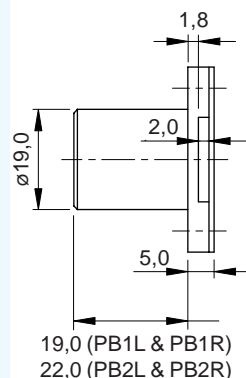
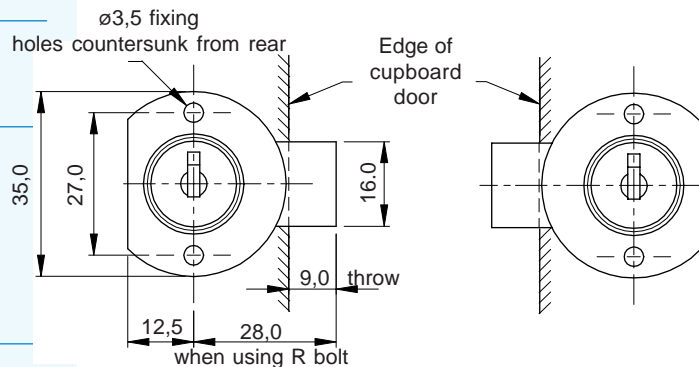


A/PB1R



A/PB1L

Dimensions/Fixing shown NTS



#### Fixing Details

Note: fixing hole  $\varnothing 20,0$  if bezel is used

Measurements shown in mm

# SQUARE BACK BOLT LOCK

## FOR CUPBOARDS - HORIZONTAL

### Applications

This lock is ideal for use on cupboards.

Rotating the key 180° results in horizontal movement of the bolt.

The lock fits into a 19.1mm diameter hole from the rear of a panel. Screws then secure the lock from the back.

Suits panels up to 19 mm thick.

### Specifications

- Zinc alloy diecast housing and back plate
- Zinc alloy diecast bolt - horizontal movement
- Single-entry keying - 01 and 02
- Double-entry keying - 07, 08, 17 and 18
- Key removable in locked and unlocked positions
- Positive click action mechanism
- Stainless steel capped barrel
- Optional bezel - refer to page **B101**
- One pair of nickel-plated keys per lock

### Code Information

#### KEY SERIES

- 01** 200 combinations - non-master keying
- 02** 200 combinations - master keying
- 07** 500 combinations - non-master keying
- 08** 500 combinations - master keying
- 17** 2000 combinations - non-master keying
- 18** 2000 combinations - master keying

#### FINISH

- 3** Bright chrome
- 9** Nickel

#### MOVEMENT

- B** 180° clockwise to unlock - left edge bolt
- B** 180° anti-clockwise to unlock - right edge bolt

#### FIXING

- Customer to supply

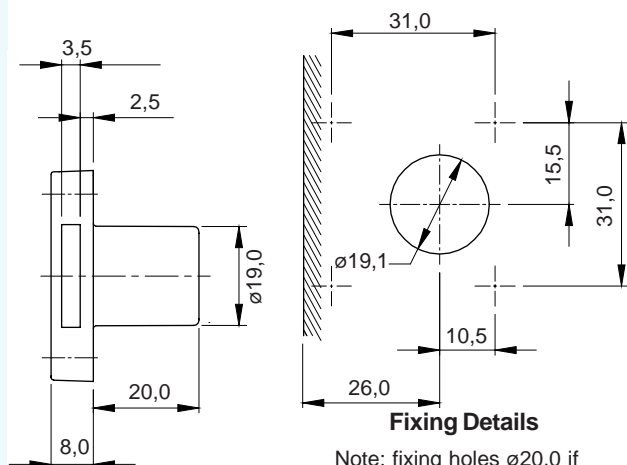
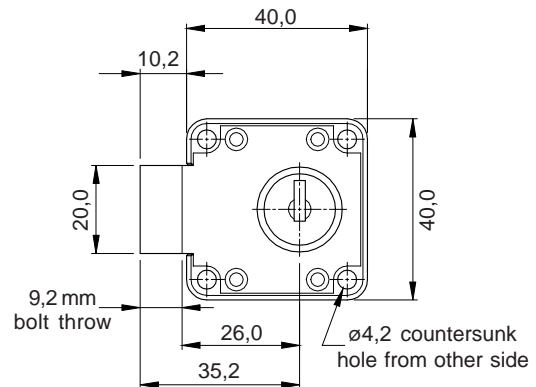


**A/PBSR**  
Right edge  
bolt projection



**A/PBSL**  
Left edge  
bolt projection

#### Dimensions/Fixing shown NTS



#### Fixing Details

Note: fixing holes ø20,0 if bezel is used

#### Measurements shown in mm

### Ordering Details

**STEP 1**      **STEP 2**      **STEP 3**      **STEP 4**

**A / PBSL / KEY SERIES / FINISH + MOVEMENT / - - -**

**A / PBSR / KEY SERIES / FINISH + MOVEMENT / - - -**

Ordering example: **A / P B S L / 0 2 / 3 B / - - -**

- **ADVISE**      Keying requirements, e.g. keyed alike

# SQUARE BACK BOLT LOCK

## FOR DRAWERS - VERTICAL

### Applications

This lock is ideal for use on drawers.

Rotating the key 180° results in vertical movement of the bolt.

The lock fits into a 19.1mm diameter hole from the rear of a panel. Screws then secure the lock from the back.

Suits panels up to 19 mm thick.

### Specifications

- Zinc alloy diecast housing and back plate
- Zinc alloy diecast bolt - vertical movement
- Single-entry keying - 01 and 02
- Double-entry keying - 07, 08, 17 and 18
- Key removable in locked and unlocked positions
- Positive click action mechanism
- Stainless steel capped barrel
- Optional bezel - refer to page **B101**
- One pair of nickel-plated keys per lock



A/PBSV

### Code Information

#### KEY SERIES

- 01 200 combinations - non-master keying
- 02 200 combinations - master keying
- 07 500 combinations - non-master keying
- 08 500 combinations - master keying
- 17 2000 combinations - non-master keying
- 18 2000 combinations - master keying

#### FINISH

- 3 Bright chrome
- 9 Nickel

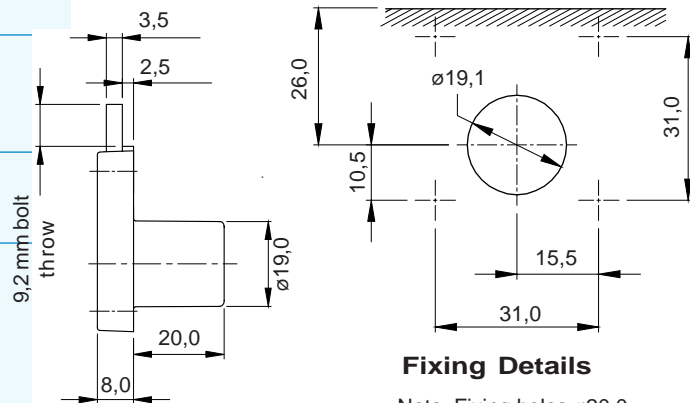
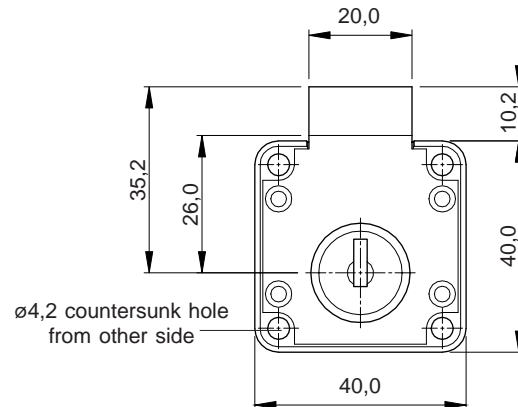
#### MOVEMENT

B 180° clockwise to unlock

#### FIXING

- Customer to supply

#### Dimensions/Fixing shown NTS



#### Fixing Details

Note: Fixing holes  $\varnothing 20,0$  if bezel is used

### Ordering Details

Measurements shown in mm

STEP 1      STEP 2      STEP 3      STEP 4

A / PBSV / KEY SERIES / FINISH + MOVEMENT / - - -

Ordering example: A / P B S V / 0 2 / 3 B / - - -

- ADVISE      Keying requirements, e.g. keyed alike

# PROJECTION BOLT LOCK - 42 MM

## VERTICAL BOLT PROJECTION

### Applications

This lock is ideal for use on drawers and doors.

It fits through the rear face of the panel, into a hole 22 mm in diameter and 30 mm from the drawer or door edge. Once checked in, the screws secure the lock from the back.

Suits panels of up to 42 mm thick.

### Specifications

- Zinc alloy diecast housing
- Zinc alloy diecast backplate and bolt (passivated)
- Vertical bolt operation
- Key removable in locked and unlocked positions
- Stainless steel capped barrel

### Code Information

#### KEY SERIES

- 07 500 combinations - non-master keying
- 08 500 combinations - master keying
- 17 2000 combinations - non-master keying
- 18 2000 combinations - master keying

#### FINISH

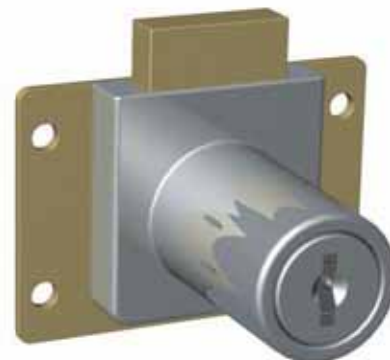
- 3 Bright chrome

#### MOVEMENT

- B 180° clockwise to unlock

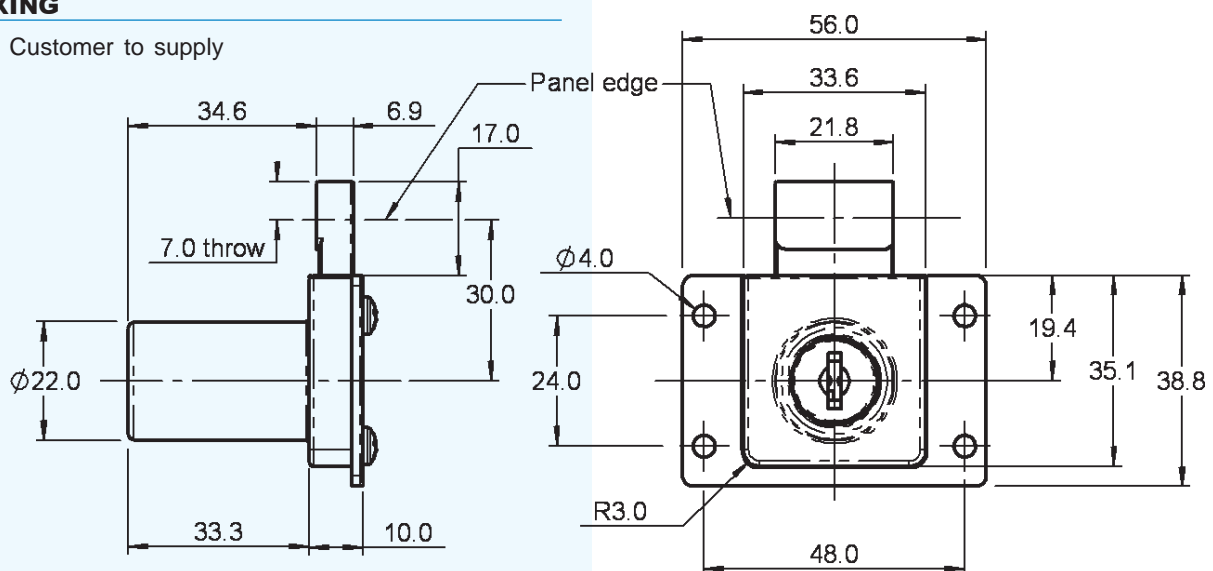
#### FIXING

- Customer to supply



A/PB4V

Dimensions/Fixing shown NTS



Measurements shown in mm

### Ordering Details

STEP 1      STEP 2      STEP 3  
A / PB4V / KEY SERIES / FINISH + MOVEMENT

Ordering example: A / P B 4 V / 1 8 / 3 B / - - -

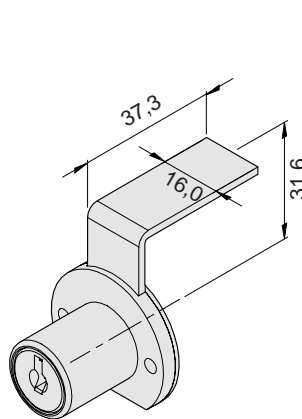
- **ADVISE** Keying requirements, e.g. keyed alike

# BOLT OPTIONS AND BEZELS

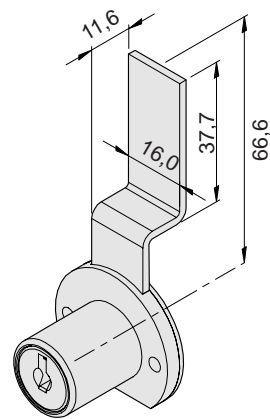
## Projection Bolt Locks

Dimensions/Fixing shown NTS

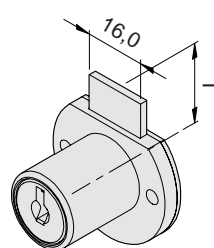
BOLT TYPE	DIMENSION L
V	19,5
F	21,5
R	28,0
X	40,5
L	49,5
M	51,5



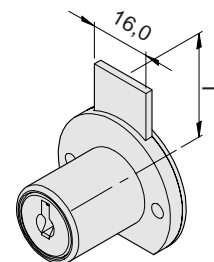
**BOLT TYPE B**



**BOLT TYPE C**



**BOLT TYPE FX**  
Bolt out of flat



**BOLT TYPE RX**  
Bolt out of round

## Bezels

Measurements shown in mm

Bezels are designed to fit onto the nozzles of our locks. Their main function is to finish off a drilled hole in timber.

### SIZES (Internal Diameter)

- 19 mm
- 22 mm

### FINISH

- Bright chrome
- Nickel





# LOCKER AND CUPBOARD LOCK

## 22 MM NOZZLE LENGTH

### Applications

This lock is ideal for use on lockers and cupboards.

Rotating the key 360° results in 6.4 mm bolt movement.

The lock fits into a 16 mm diameter hole from the rear of a panel. Screws then secure the lock from the back.

Suits panels up to 22 mm thick.

### Specifications

- Zinc alloy diecast housing - natural finish
- Pressed steel back plate - passivated - back plate held on by two removable screws
- Zinc alloy diecast bolt - natural finish
- Zinc alloy diecast barrel - natural finish
- Key removable in locked and unlocked positions
- One pair of nickel-plated keys per lock

### Code Information

#### KEY SERIES

ZL 1800 combinations - master keying

#### FINISH

0 Zinc

#### MOVEMENT

- 360° clockwise to unlock

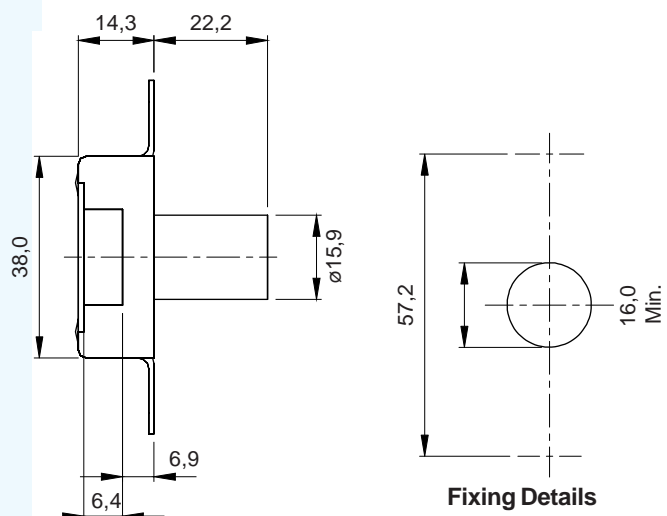
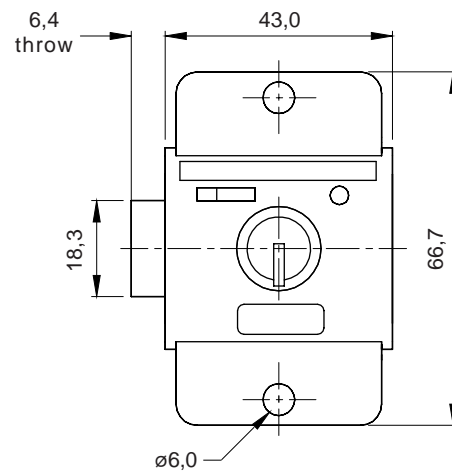
#### FIXING

-- Customer to supply



A/PN2

#### Dimensions/Fixing shown NTS



Measurements shown in mm

### Ordering Details

STEP 1    STEP 2    STEP 3    STEP 4

A / P N 2 2 / Z L / 0 - / - - -

Ordering example: A / P N 2 2 / Z L / 0 - / - - -

- ADVISE    Keying requirements, e.g. keyed alike