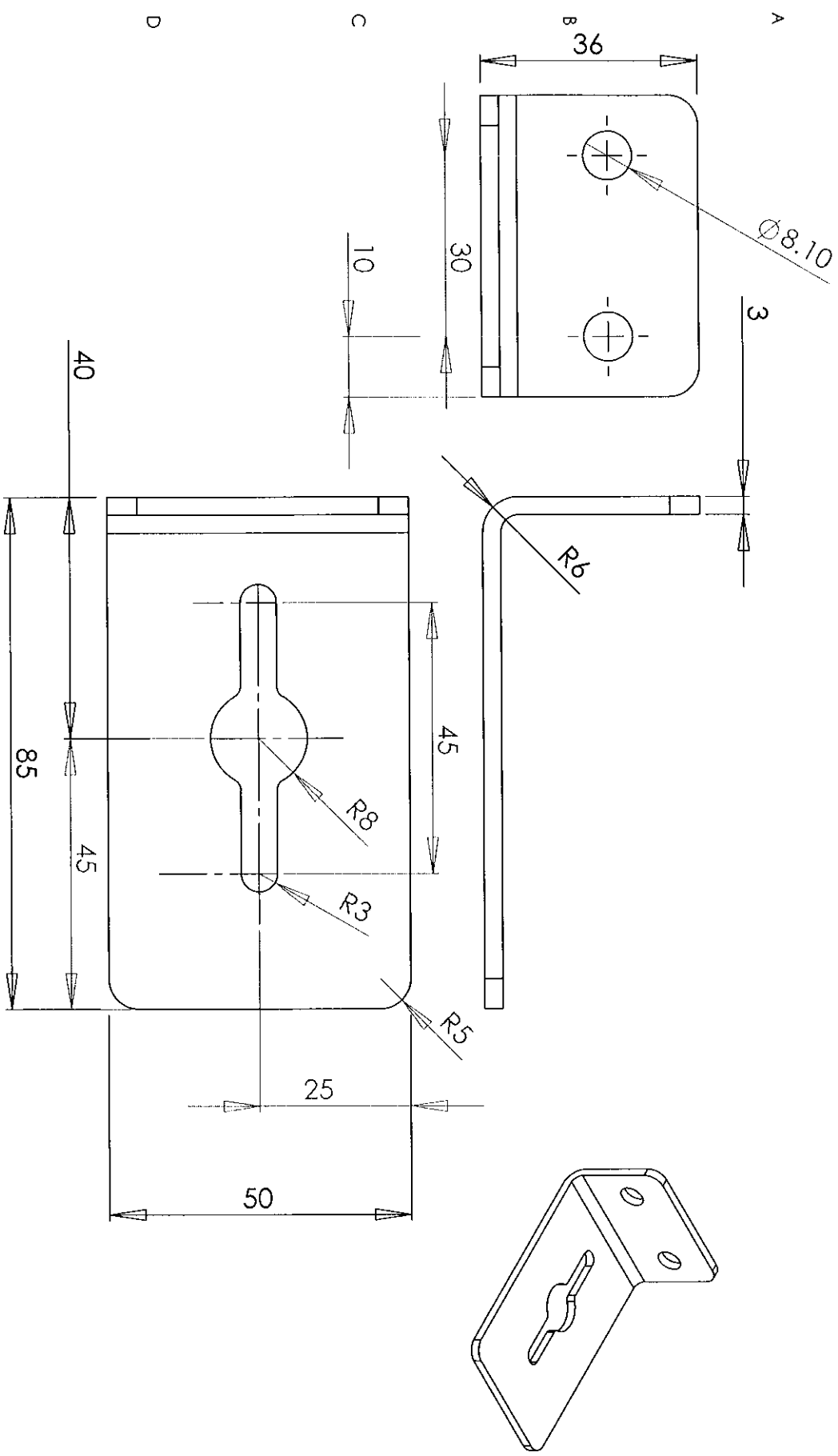


DO NOT SCALE DRAWING



SHEET X

E No	DATE	REVISION	DRAWN CHK'D	DATE	TITLE
			J.W.	23/6/10	Handel mounting bracket

DIMENSION TOL. 0 ± 0.2
 MATERIAL Steel
 FINISH Zn plated
 TOL. ANGLE ± 0°30'
 UNLESS OTHERWISE SPECIFIED

DRAWN J.W.
 DATE 23/6/10
 SCALE X
 DIE No X
 CHECKED

THE INFORMATION CONTAINED IN THIS DRAWING IS CONFIDENTIAL & MUST NOT BE MADE AVAILABLE TO ANY OTHER PERSON OR ORGANISATION WITHOUT WRITTEN PERMISSION FROM LOCK FOCUS PTY.LTD. THIS DRAWING & COPIES OF IT ALWAYS REMAIN THE PROPERTY OF LOCK FOCUS PTY.LTD. & MUST BE RETURNED ON REQUEST.

LOCK FOCUS PTY. LTD.
 15-17 FUTURA ROAD KEYSBOROUGH VICTORIA 3173

DRG. No. X
SHEET No: 1 OF 1
A4