

# BIN LOCK

## GRAVITY-OPENING

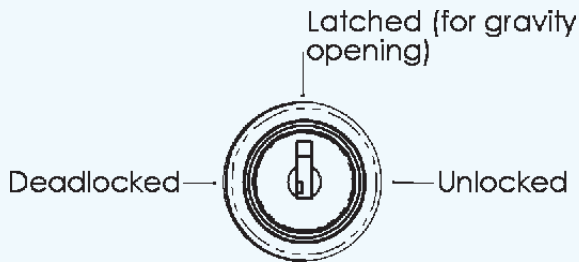
### Applications

This lock is suitable for use on a wheelie bin.

It has a number of unique features. It can be opened by key or gravity when tipped in a forward direction.

### Specifications

- Glass-reinforced nylon body
- Stainless steel capped barrel
- Gravity opening from the latched position when the bin is tipped
- Glass-reinforced nylon catch pin shroud
- Stainless steel security Torx post fixing screws
- Installation templates available



### Code Information

#### KEY SERIES

Any current LF key series available, except CL

#### OPERATION OF LOCK

G Gravity

#### MOVEMENT

T Three-way keying

#### BIN TYPE

NYL Nylex  
 OSG OSGS  
 SUL SULO

### Ordering Details

STEP 1                      STEP 2                      STEP 3                      STEP 4  
**A / B I N P / KEY SERIES / OPERATION OF LOCK + KEY MOVEMENT / BIN TYPE**  
 Ordering example: A / B I N P / 0 1 / G T / N Y L

- **ADVISE**      Keying requirements, e.g. keyed alike



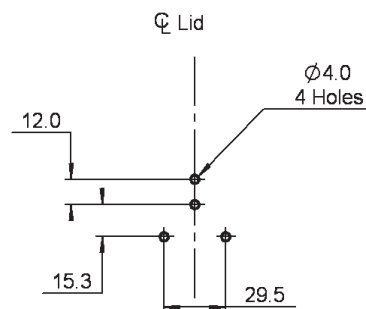
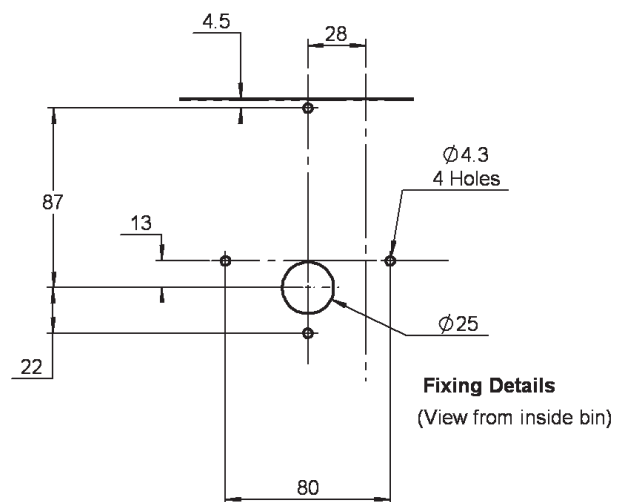
Internal View



External View

A/BINP

#### Dimensions/Fixing shown NTS



Measurements shown in mm