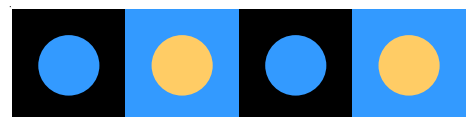
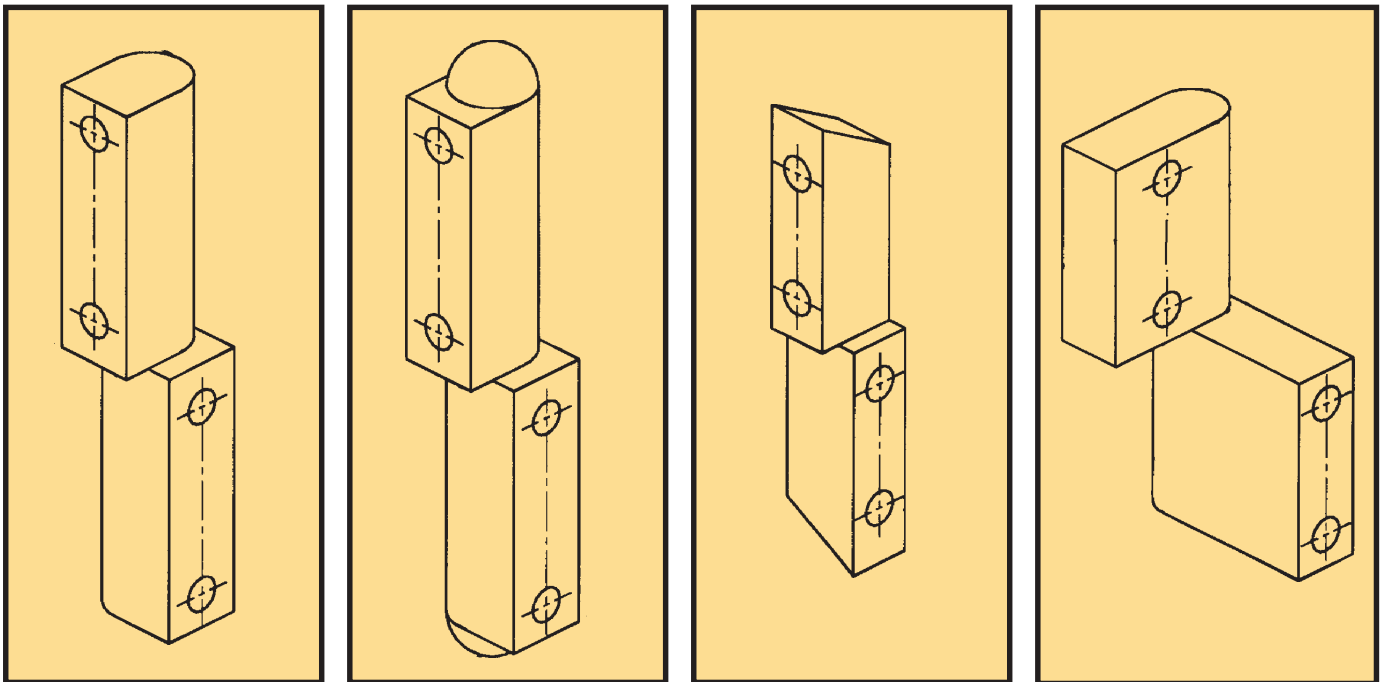


SECTION 6 - HINGES



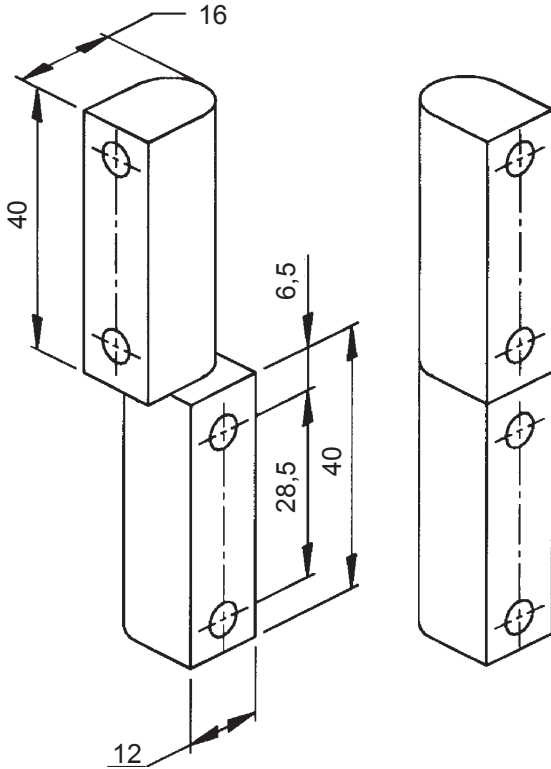
HINGE FLAT END



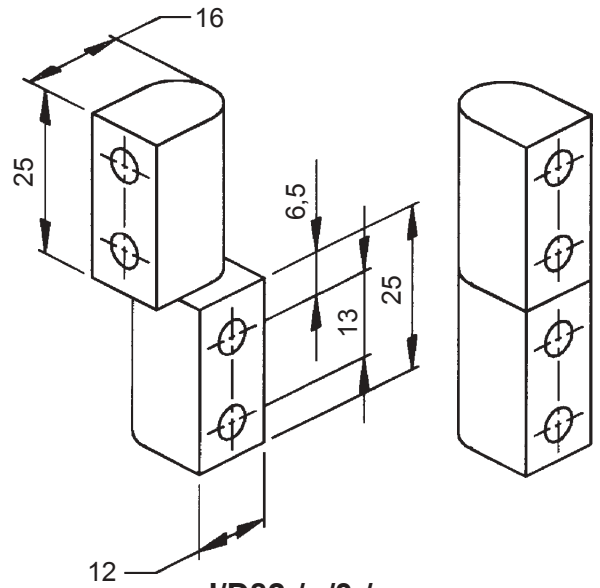
Pin Type

Material

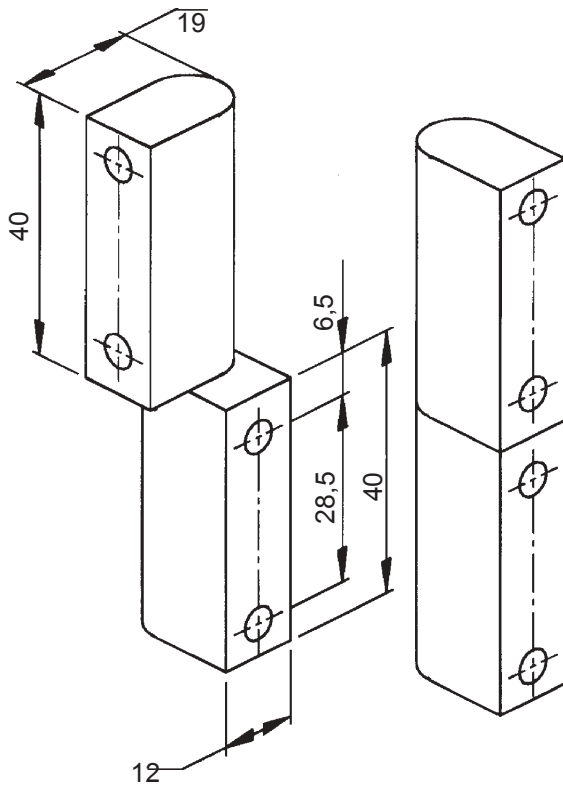
BODY: SOLID BRASS - CHROME-PLATED
 PIN: DIA. 6 STAINLESS STEEL
 SCREWS: M6 X 8 - 4 PER ASSEMBLY
 HEXAGON HEAD POZI DRIVE



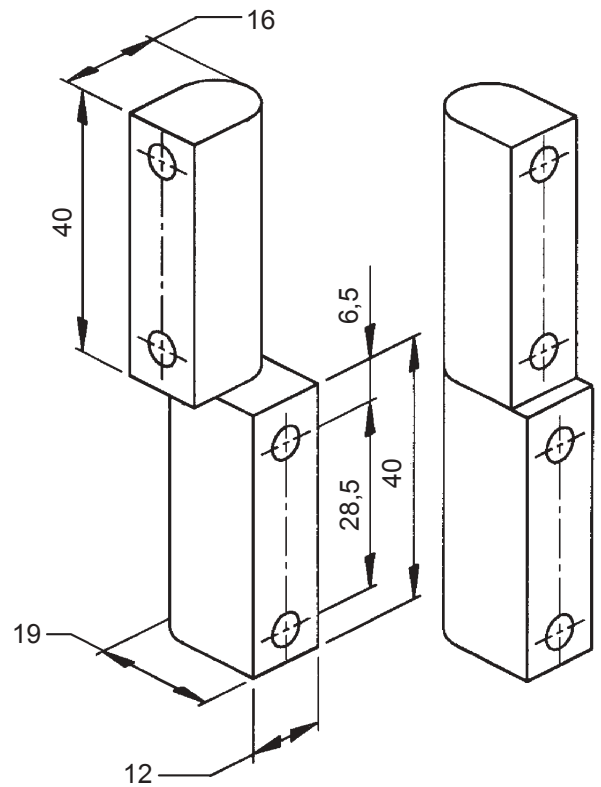
I/D81-/-/3-
 (ALSO AVAILABLE IN BLACK)
I/D81-/-/6-



I/D82-/-/3-/-



I/D83



A/D831

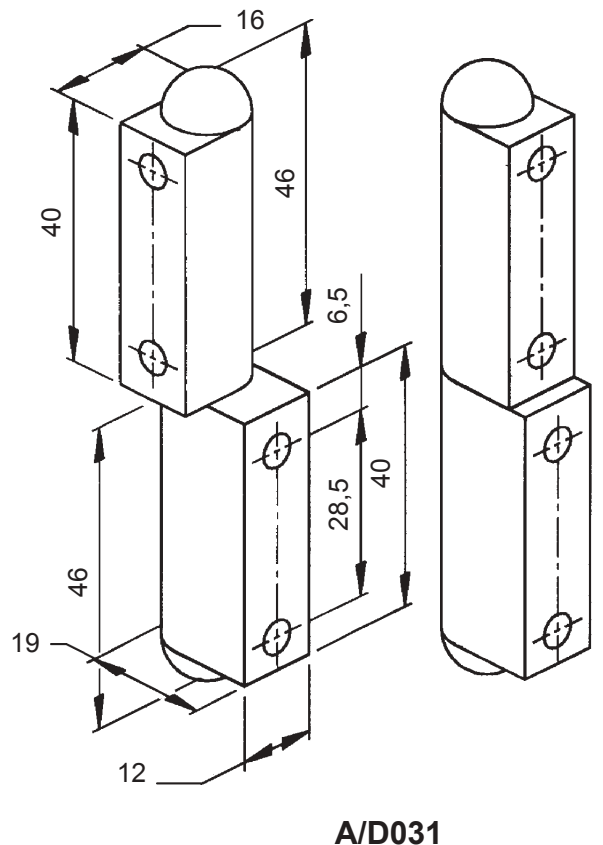
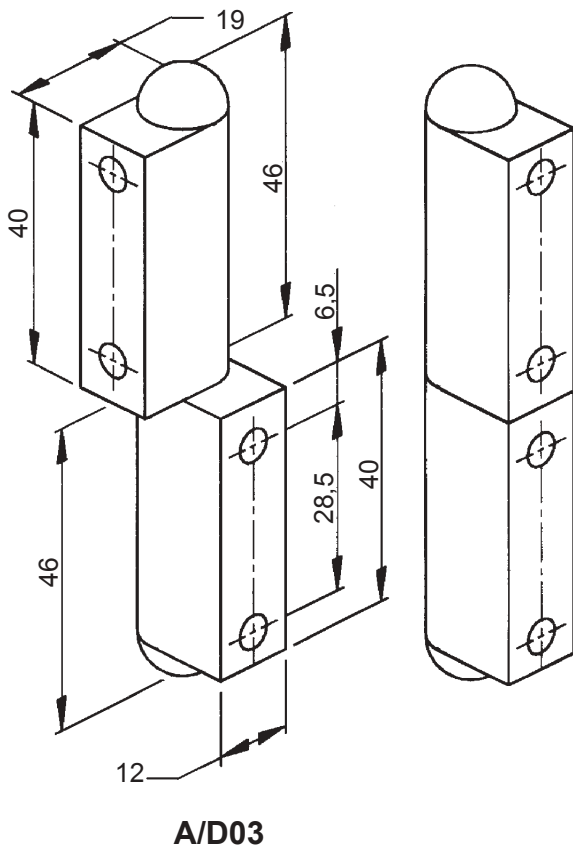
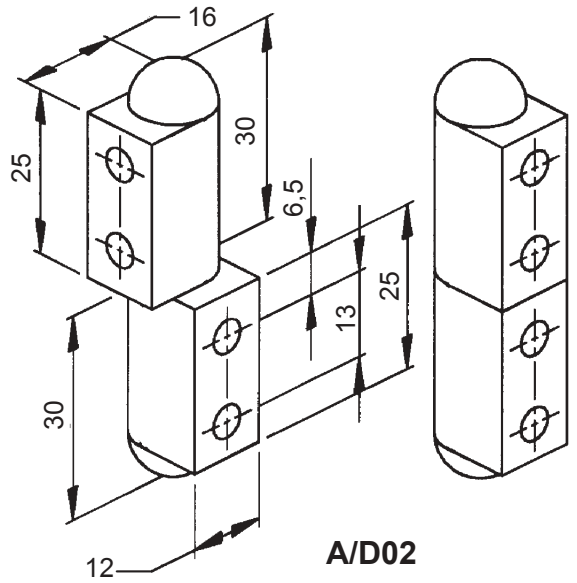
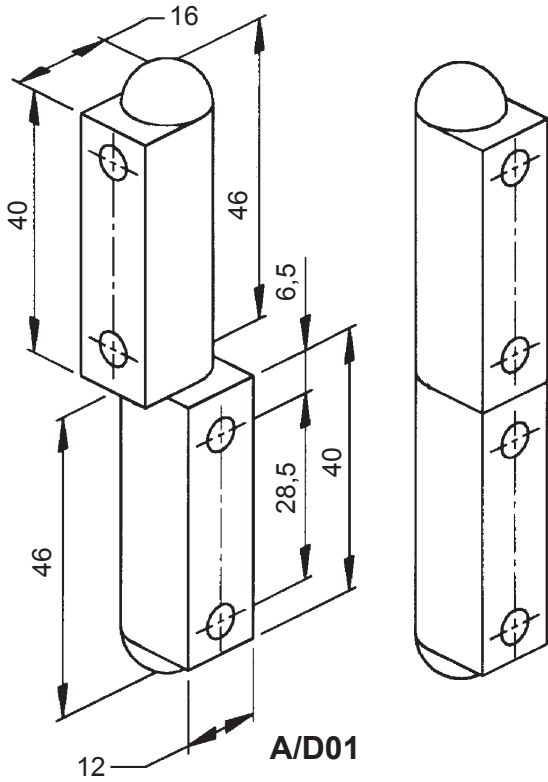
HINGE DOME END



Pin Type

Material

BODY: SOLID BRASS - CHROME PLATED
 PIN: DIA. 6 STAINLESS STEEL
 SCREWS: M6 X 8 - 4 PER ASSEMBLY
 HEXAGON HEAD POZI DRIVE



HINGE GRADE 316 - STAINLESS STEEL



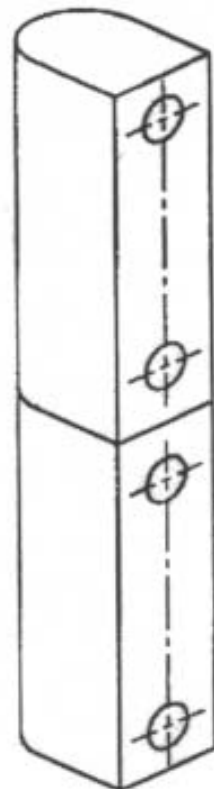
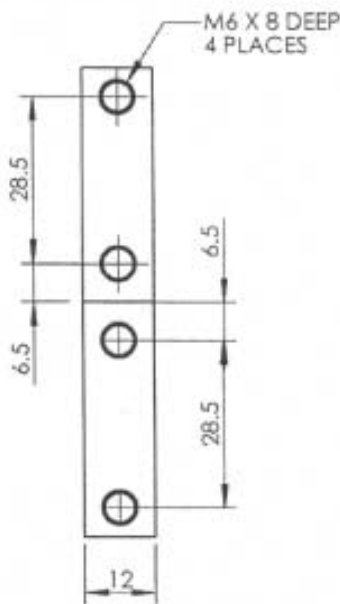
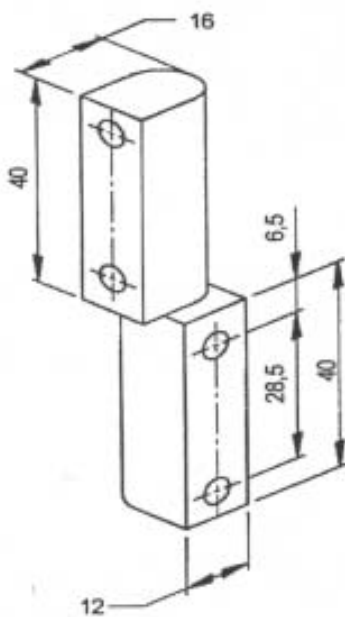
Alternative Fixing - Pin Type

Material

BODY: STAINLESS STEEL, GRADE 316, HAND-POLISHED
PIN: DIA. 6, STAINLESS STEEL
SCREWS: M6 STAINLESS STEEL, HEXAGON HEAD, POZI DRIVE ,
4 SUPPLIED PER ASSEMBLY

Ordering Details: ID81/--/SS/---

Dimensions

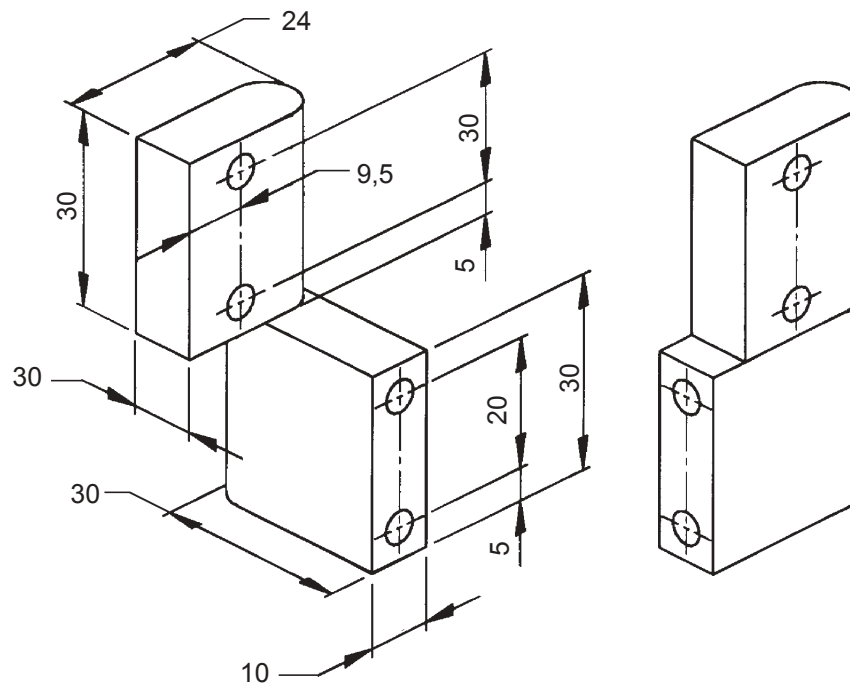


Alternative Fixing - Pin Type

Material

BODY: SOLID BRASS - CHROME PLATED
PIN: DIA. 6 STAINLESS STEEL
SCREWS: M6 X 8 - 4 PER ASSEMBLY
HEXAGON HEAD, POZI DRIVE

Dimensions



A/D86

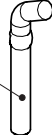
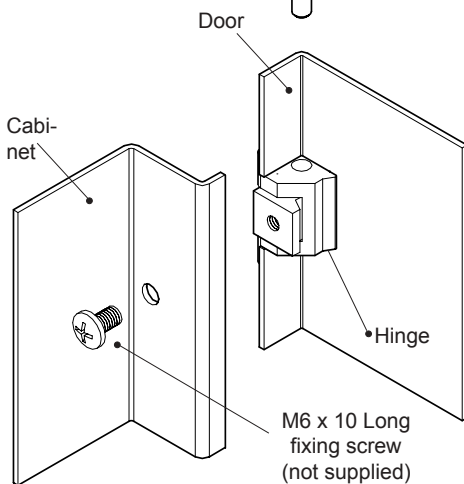
Specifications

AVAILABLE IN 2 LENGTHS:
30 MM AND 40 MM

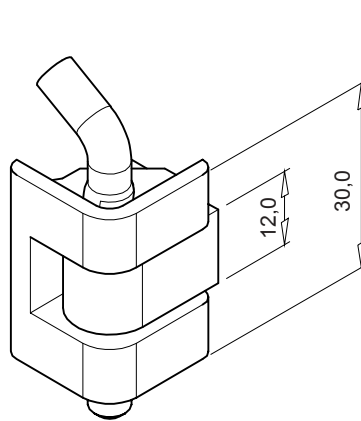
ZINC ALLOY DIE CAST HINGES
WITH BLACK FINISH

PASSIVATED STEEL PIN

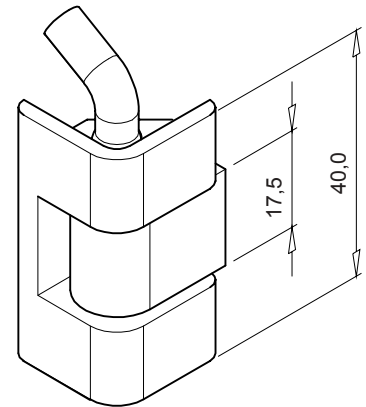
Hinge pin secures main body of the hinge to door & locates the other half of the hinge

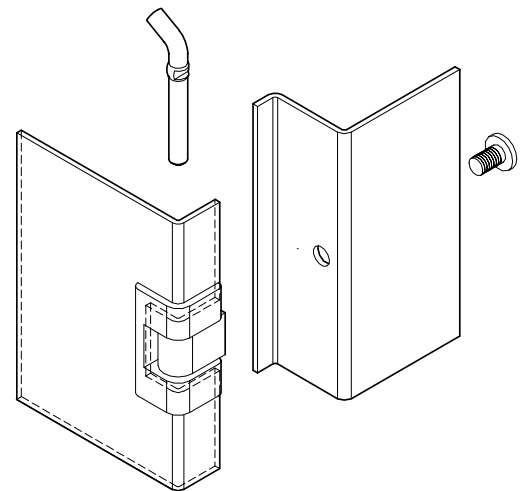
INSIDE VIEW ON HINGE



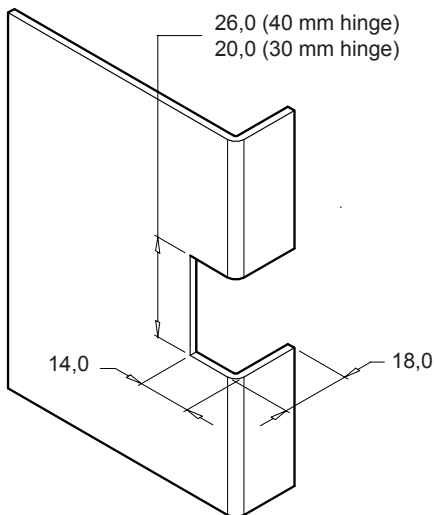
30MM HINGE
M/HING/30/6- /- - -



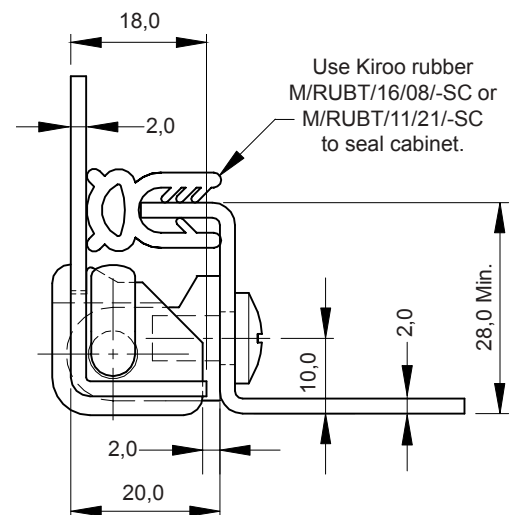
40MM HINGE
M/HING/40/6- /- - -



OUTSIDE VIEW ON HINGE



DOOR PANEL CUTOUT



DIMENSIONS

HINGE CHAMFERED END

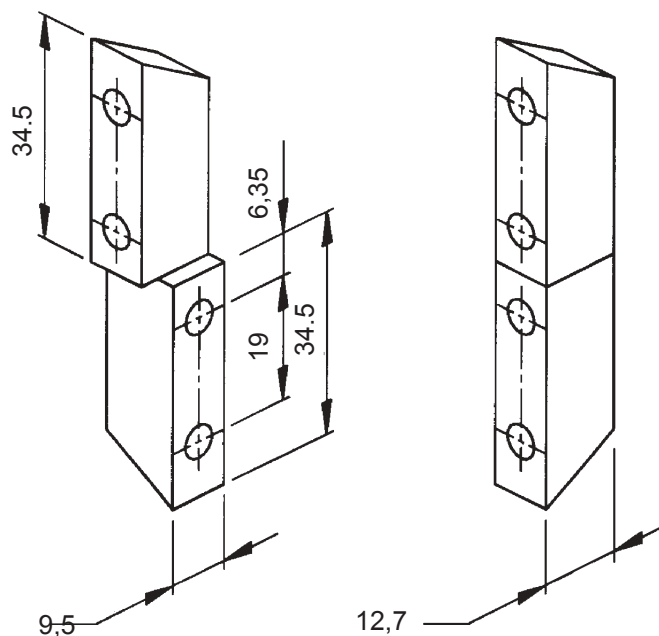


Alternative Fixing - Pin Type

Material

BODY: SOLID BRASS - CHROME-PLATED
PIN: DIA. 6 STAINLESS STEEL
SCREWS: M4 X 8 - 4 PER ASSEMBLY
HEXAGON HEAD, POZI DRIVE

Dimensions



A/D05-

HINGE OFFSET - BRASS



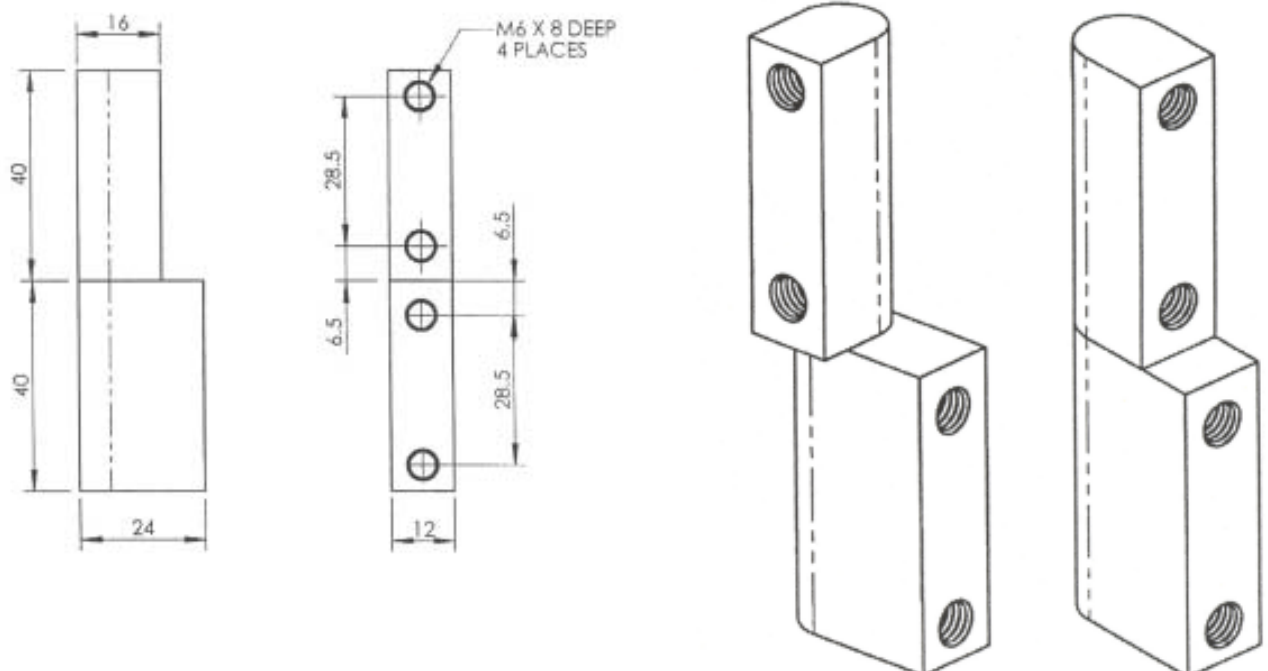
Alternative Fixing - Pin Type

Material

BODY: SOLID BRASS, CHROME-PLATED
PIN: DIA. 6, STAINLESS STEEL
SCREWS: M6, HEXAGON HEAD, POZI DRIVE
4 SUPPLIED PER ASSEMBLY
CODE: I/D84
SUITABLE FOR SEALING RUBBER
CODE: M/RUBS/12/11/-SC

Ordering Details: I/D84

Dimensions



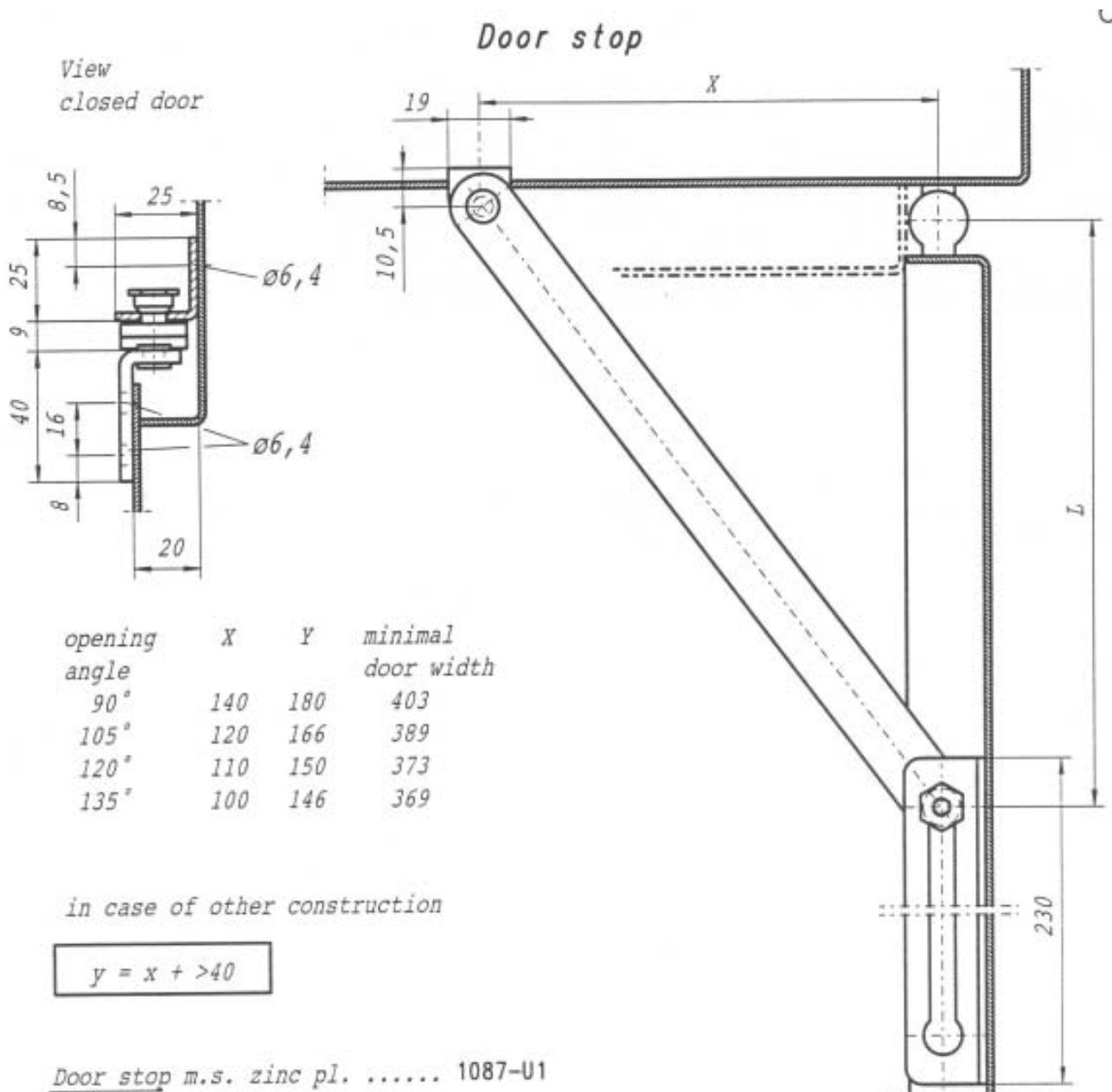
DOOR STAY MILD STEEL



Material

MILD STEEL

NOTE: HOLDS DOOR OPEN AT 90° AND 120°



Ordering Details

DOOR OPENING	CODE
UNIVERSAL MOUNTING	1087-U1