

FLUSH LOCKING HANDLE

3-POINT LOCKING

Applications

This lock is ideal for hinged doors requiring 3-point locking.

The lock assembly is snap-in with rod retention designed to resist tampering. It retrofits into existing die cast cutout detail. Application tool available for rod retaining plate. Part No. M/HF1T.

Specifications

Black pan and grip with warm-to-touch surface. Internal zinc alloy locking cell 90° cam rotation.

Code Information

KEY SERIES

- 01 200 combinations - non-master keying
- 02 200 combinations - master keying
- 07 500 combinations - non-master keying
- 08 500 combinations - master keying
- 11 2000 combinations - non-master keying
- 12 2000 combinations - master keying
- 17 2000 combinations - non-master keying
- 18 2000 combinations - master-keying
- CL Keyed Alike specific combinations

MOVEMENT

- L Cam on left edge (as drawn)
- R Cam mounted on right edge

FIXING

For material thickness above 1.8 mm, ask for options

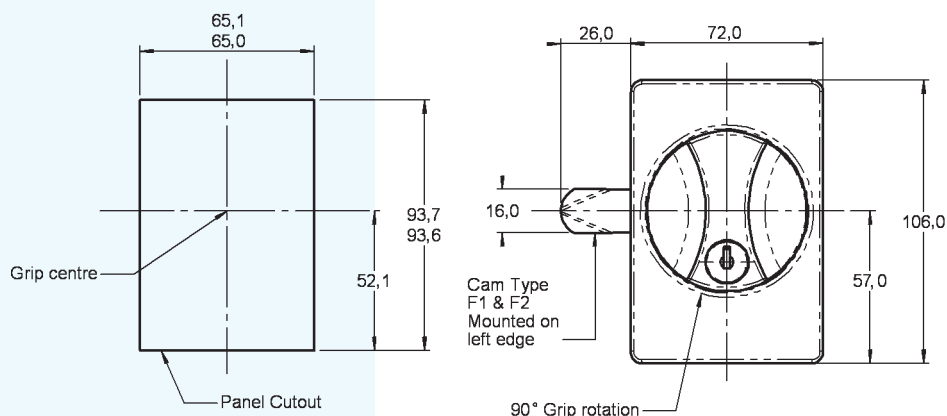
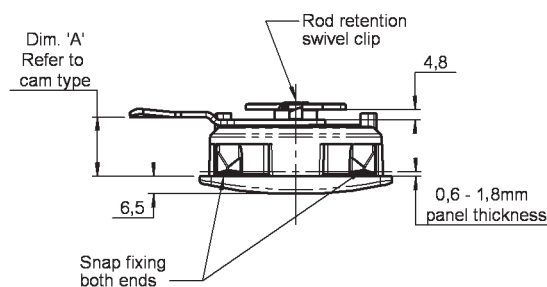
CAM TYPE

- F1 22 mm cam set back
- F2 16 mm cam set back



A/HF1A

Dimensions/Fixing shown NTS



Ordering Details

Measurements shown in mm

STEP 1 STEP 2 STEP 3 STEP 4
A / H F 1 A / KEY SERIES / MOVEMENT / CAM TYPE
Ordering example: A / H F 1 A / 0 1 / 6 L / - F 1

Barrel Exchange option: See Barrel Exchange System Section C, page C9