

# L200 Electronic Lock

SLAM LOCKING VERSION



The Lock Focus Slam Locking L200 has been developed for quick and easy locking. Available as an alternative to the standard L200, the slam lockable tongue provides automatic locking when the door is closed.

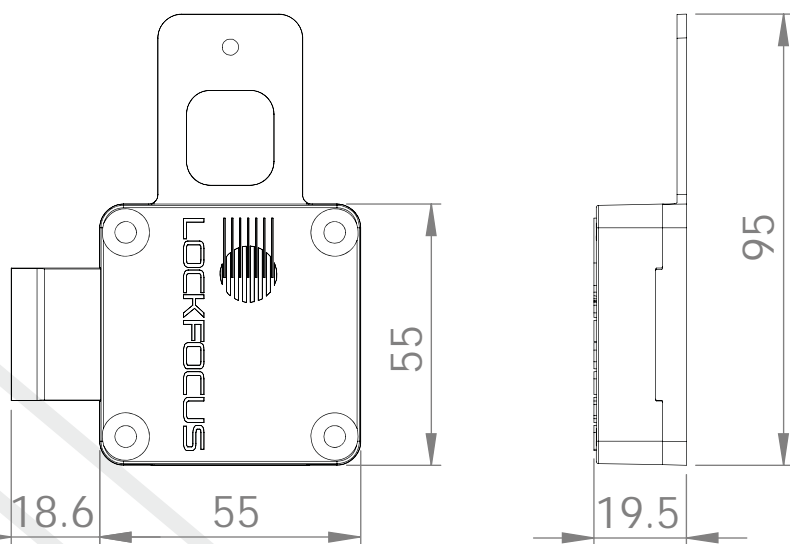
## APPLICATION

- For commercial, residential and recreational use

## L200 MAIN FEATURES

- Digital locking to secure your items
- Sub master and mastering programming
- Single-use code option
- Up to 30 users with unique access codes
- Concealed key-override (Lock Focus exchange barrel and master key system)
- Programmable (timed) locking and unlocking functions

## SLAM LOCKING ADAPTOR DETAILS



## SLAM LOCK FEATURES

- Spring loaded tongue for slam locking
- Ensures the door is locked everytime it is closed
- Replaces standard locking cam
- Mounting options include MDF and sheet metal installations
- Compatible with left and right hand installations

## MATERIALS

- Main body and bolt constructed from high pressure die cast zinc components
- A plated mild steel plate will be supplied for mounting on metal surfaces

15-17 Futura Road, Keysborough, 3173  
Melbourne Victoria Australia  
T: 61 3 9798 1322 F: 61 3 9798 9652  
[www.lockfocus.com.au](http://www.lockfocus.com.au)



**LOCKFOCUS**

**FREE PHONE: 1800 687 116**  
Email: [sales@lockfocus.com.au](mailto:sales@lockfocus.com.au)