

CAM LOCKS - 11 MM

ROUND AND SQUARE FACES - CIRCLIP AND RIVET FIXED CAMS

Applications

This lock is ideal for use on drawers and doors.

Rotating the key results in 90° or 180° rotary cam movement.

Two versions are available: a rivet fixed cam (cannot be removed) and a circlip fixed cam (can be removed and repositioned).

Specifications

- Zinc alloy diecast housing
- Key removable in locked and unlocked positions (B and C movements)
- Key removable in locked position only (S and A movements only)
- Zinc-plated steel cam
- Stainless steel capped barrel
- One pair of nickel-plated keys per lock

Code Information

KEY SERIES

- 01 200 combinations - non-master keying
- 02 200 combinations - master keying
- 07 500 combinations - non-master keying
- 08 500 combinations - master keying
- 11 2000 combinations - non-master keying (circlip fix cam version only)
- 12 2000 combinations - master keying (circlip fix cam version only)
- 17 2000 combinations - non-master keying
- 18 2000 combinations - master keying

FINISH

- 3 Bright chrome

MOVEMENT

- B 180° clockwise or anti-clockwise to unlock
- S 90° clockwise to unlock
- A 90° anti-clockwise to unlock
- C 90° clockwise or anti-clockwise to unlock

FIXING (Refer to page A105 for applications)

- N Nut
- F Across flats spring clip
- R Across rounds spring clip

CAM TYPE

- Refer to page A101 (11 and 12 series)
- Refer to page A100 (other key series)

Ordering Details

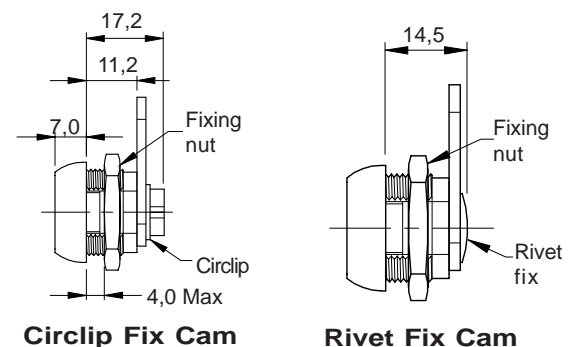
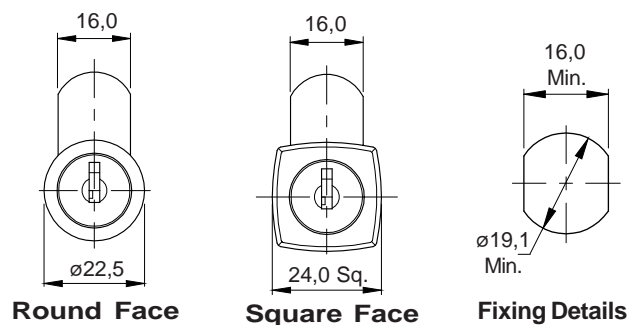
- | | | | |
|---------------|--|--------------------------------|---------------|
| STEP 1 | STEP 2 | STEP 3 | STEP 4 |
| A / CR11 | / KEY SERIES / FINISH + MOVEMENT / FIXING + CAM TYPE | (Round face, circlip fix cam) | |
| A / CS11 | / KEY SERIES / FINISH + MOVEMENT / FIXING + CAM TYPE | (Square face, circlip fix cam) | |
| A / CR1R | / KEY SERIES / FINISH + MOVEMENT / FIXING + CAM TYPE | (Round face, rivet fix cam) | |
| A / CS1R | / KEY SERIES / FINISH + MOVEMENT / FIXING + CAM TYPE | (Square face, rivet fix cam) | |

Ordering example: A / C R 1 1 / 0 1 / 3 B / N 0 4

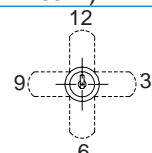
- **ADVISE** Cam position when locked, refer to drawing at right
- **ADVISE** Keying requirements, e.g. keyed alike
- **SPECIFY** Material thickness if ordering spring clip fixing



Dimensions/Fixing shown NTS



Measurements shown in mm



CAM LOCKS - 16 MM

ROUND AND SQUARE FACES

Applications

This lock is ideal for use on drawers and doors.
Rotating the key results in 90° or 180° rotary cam movement.

Specifications

- Zinc alloy diecast housing
- Key removable in locked and unlocked positions (B and C movements)
- Key removable in locked position only (S and A movements only)
- Zinc-plated steel cam
- Stainless steel capped barrel
- One pair of nickel-plated keys per lock

Code Information

KEY SERIES

- 01 200 combinations - non-master keying
- 02 200 combinations - master keying
- 07 500 combinations - non-master keying
- 08 500 combinations - master keying
- 11 2000 combinations - non-master keying
- 12 2000 combinations - master keying
- 17 2000 combinations - non-master keying
- 18 2000 combinations - master keying
- CL and FS Special combinations only

FINISH

- 3 Bright chrome

MOVEMENT

- B 180° clockwise or anti-clockwise to unlock
- S 90° clockwise to unlock
- A 90° anti-clockwise to unlock
- C 90° clockwise or anti-clockwise to unlock

FIXING (Refer to page A105 for applications)

- N Nut
- F Across flats spring clip
- R Across rounds spring clip

CAM TYPE

- Refer to page A100 (screw fix cam)

Ordering Details

STEP 1 STEP 2 STEP 3 STEP 4

A / CR16 / KEY SERIES / FINISH + MOVEMENT / FIXING + CAM TYPE (Round face)

A / CS16 / KEY SERIES / FINISH + MOVEMENT / FIXING + CAM TYPE (Square face)

Ordering example: A / C R 1 6 / 0 1 / 3 B / N 0 4

- **ADVISE** Cam position when locked, refer to drawing at right
- **ADVISE** Keying requirements, e.g. keyed alike
- **SPECIFY** Material thickness if ordering spring clip fixing

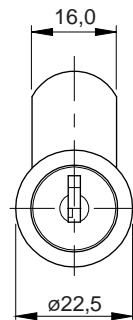


A/CR16

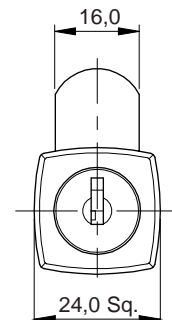


A/CS16

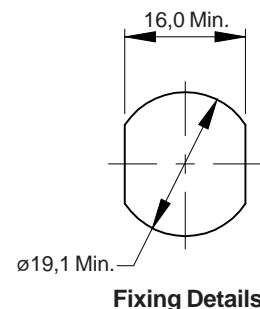
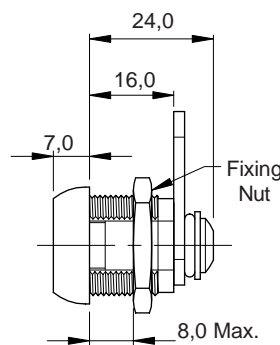
Dimensions/Fixing shown NTS



Round Face

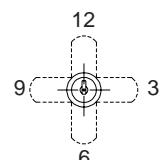


Square Face



Fixing Details

Measurements shown in mm



CAM LOCKS - 19 MM

ROUND AND SQUARE FACES

Applications

This lock is ideal for use on drawers and doors.

Rotating the key results in 90° or 180° rotary cam movement.

Specifications

- Zinc alloy diecast housing
- Key removable in locked and unlocked positions (B and C movements)
- Key removable in locked position only (S and A movements only)
- Zinc-plated steel cam
- Stainless steel capped barrel
- One pair of nickel-plated keys per lock

Code Information

KEY SERIES

- 01 200 combinations - non-master keying
- 02 200 combinations - master keying
- 07 500 combinations - non-master keying
- 08 500 combinations - master keying
- 11 2000 combinations - non-master keying
- 12 2000 combinations - master keying
- 17 2000 combinations - non-master keying
- 18 2000 combinations - master keying

FINISH

- 3 Bright chrome

MOVEMENT

- B 180° clockwise or anti-clockwise to unlock
- S 90° clockwise to unlock
- A 90° anti-clockwise to unlock

FIXING (Refer to page A105 for applications)

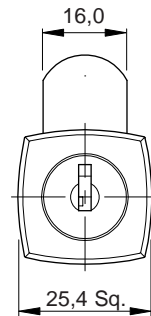
- N Nut
- F Across flats spring clip
- R Across rounds spring clip

CAM TYPE

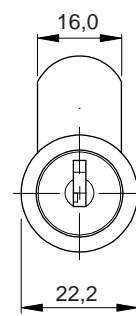
- Refer to page A100 (screw fix cam)



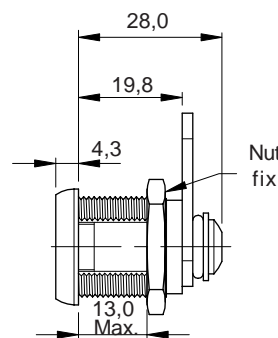
Dimensions/Fixing shown NTS



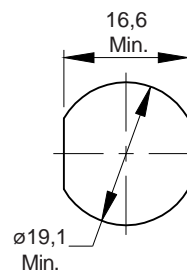
Square Face



Round Face



Nut fix



Fixing Details

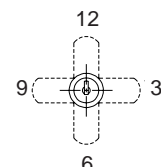
Measurements shown in mm

Ordering Details

- STEP 1** **STEP 2** **STEP 3** **STEP 4**
- A / CR19 / KEY SERIES / FINISH + MOVEMENT / FIXING + CAM TYPE (Round face)
- A / CS19 / KEY SERIES / FINISH + MOVEMENT / FIXING + CAM TYPE (Square face)

Ordering example: A / C R 1 9 / 0 1 / 3 B / N 0 4

- **ADVISE** Cam position when locked, refer to drawing at right
- **ADVISE** Keying requirements, e.g. keyed alike
- **SPECIFY** Material thicknesses if ordering spring clip fixing



CAM LOCKS - 19 MM

QUICK FIX - ROUND AND SQUARE FACES

Applications

This lock is ideal for use on drawers and doors.

Rotating the key results in 90° or 180° rotary cam movement.

The lock can be fitted in seconds by simply pushing into the panel cutout.

Suits panels 0.5 to 0.9 mm thick. Ask for optional panel thicknesses.

Specifications

- Zinc alloy diecast housing
- Key removable in locked and unlocked positions (B movement only)
- Key removable in locked position only (S and A movements only)
- Zinc-plated steel cam
- Stainless steel capped barrel
- One pair of nickel-plated keys per lock

Code Information

KEY SERIES

- 01 200 combinations - non-master keying
- 02 200 combinations - master keying
- 07 500 combinations - non-master keying
- 08 500 combinations - master keying
- 11 2000 combinations - non-master keying
- 12 2000 combinations - master keying
- 17 2000 combinations - non-master keying
- 18 2000 combinations - master keying

FINISH

- 3 Bright chrome

MOVEMENT

- B 180° clockwise or anti-clockwise to unlock
- S 90° clockwise to unlock
- A 90° anti-clockwise to unlock

FIXING (Refer to page A105 for applications)

- Q Quick fix spring clip (oil-dipped finish)
- K Quick fix spring clip (silver finish - Dacromat)

CAM TYPE

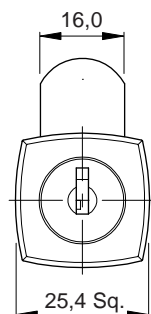
- Refer to page A100 (screw fix cam)



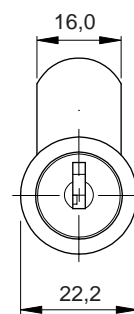
A/CRX1

A/CSX1

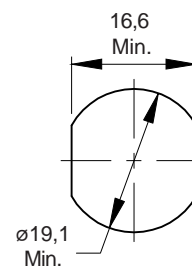
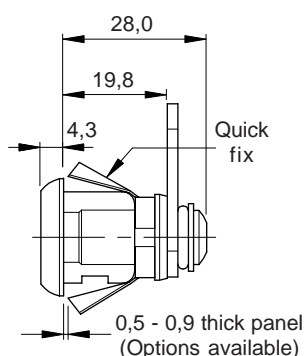
Dimensions/Fixing shown NTS



Square Face



Round Face



Fixing Details

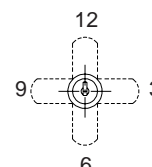
Measurements shown in mm

Ordering Details

- STEP 1 A / CRX1 / KEY SERIES / FINISH + MOVEMENT / FIXING + CAM TYPE (Round face)
- STEP 2 A / CSX1 / KEY SERIES / FINISH + MOVEMENT / FIXING + CAM TYPE (Square face)

Ordering example: A / C R X 1 / 0 1 / 3 B / Q 0 4

- ADVISE Cam position when locked, refer to drawing at right
- ADVISE Keying requirements, e.g. keyed alike
- ADVISE Material thickness



CAM LOCKS - 90° MOVEMENT

ROUND FACE ONLY

Applications

This lock is ideal for use on drawers and doors.

Rotating the key results in 90° rotary cam movement.

The main feature of this lock is the ability to remove the key in both the locked and unlocked positions.

Specifications

- Zinc alloy diecast housing
- Key removable in locked and unlocked positions
- Zinc-plated steel cam
- Stainless steel capped barrel
- One pair of nickel-plated keys per lock

Code Information

KEY SERIES

- 01 200 combinations - non-master keying
- 02 200 combinations - master keying
- 07 500 combinations - non-master keying
- 08 500 combinations - master keying
- 11 2000 combinations - non-master keying
- 12 2000 combinations - master keying
- 17 2000 combinations - non-master keying
- 18 2000 combinations - master keying

FINISH

- 3 Bright chrome

MOVEMENT

- C 90° clockwise or anti-clockwise to unlock

FIXING (Refer to page A105 for applications)

- N Nut

CAM TYPE

CR11 only - Circlip fix cam or rivet fix cam - refer to page A100

CR11/N11 and 12 key series - refer to page A101

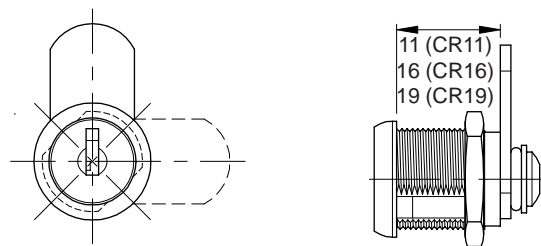
CR16 and CR19 - Screw fix cam

-- Refer to page A100

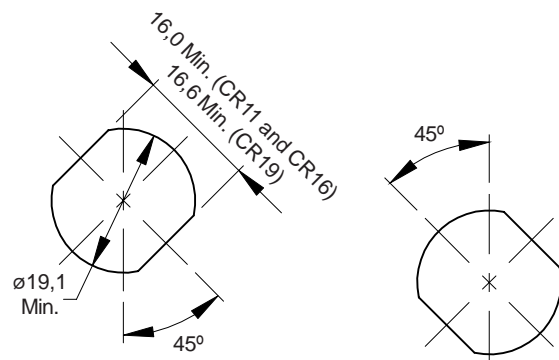


A/CR19

Dimensions/Fixing shown NTS



All dimensions as per:
 CR11 - Page A1
 CR16 - Page A2
 CR19 - Page A3



This mounting position gives clockwise movement to unlock

This mounting position gives anti-clockwise movement to unlock

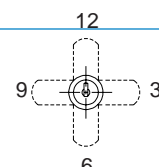
Ordering Details

Measurements shown in mm

- STEP 1** **STEP 2** **STEP 3** **STEP 4**
- A / CR11 / KEY SERIES / FINISH + MOVEMENT / FIXING + CAM TYPE (Round face)
- A / CR16 / KEY SERIES / FINISH + MOVEMENT / FIXING + CAM TYPE (Round face)
- A / CR19 / KEY SERIES / FINISH + MOVEMENT / FIXING + CAM TYPE (Round face)

Ordering example: A / C R 1 1 / 0 1 / 3 C / N 0 4

- ADVISE Cam position when locked, refer to drawing at right
- ADVISE Keying requirements, e.g. keyed alike



CAM LOCKS - COIN/SQUARE DRIVE OPERATED

ROUND FACE

Applications

This lock is ideal for use on drawers and doors and access panels.

A coin or square (budget key) is used to rotate the cam 180°.

Specifications

- Zinc alloy diecast housing
- Coin operation/budget key
- Zinc-plated steel cam
- Stainless steel capped barrel coin-operated only



A/CR19/8S

Also available in coin-operated

Code Information

KEY SERIES

CO Coin operated

8S Square drive

FINISH

1 Zinc plate (8S drive)

3 Bright chrome - coin-operated

MOVEMENT

B 180° clockwise or anti-clockwise to unlock

FIXING (Refer to page A105 for applications)

N Nut

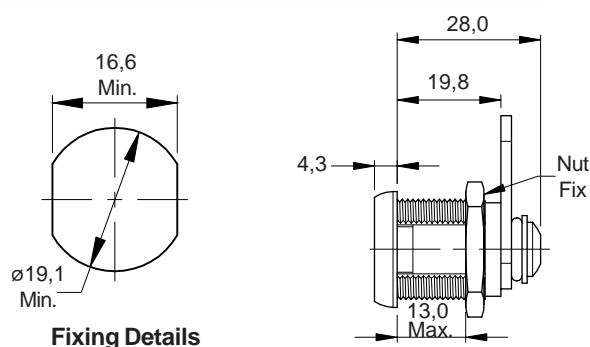
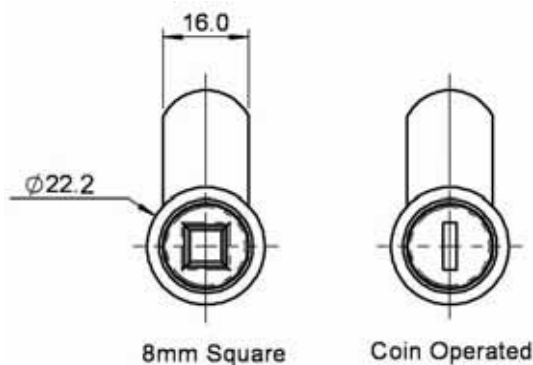
F Across flats spring clip

R Across rounds spring clip

CAM TYPE

-- Refer to page A100 (screw fix cam)

Dimensions/Fixing shown NTS



Ordering Details

Measurements shown in mm

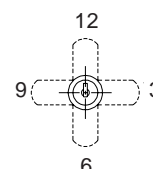
STEP 1 **STEP 2** **STEP 3** **STEP 4**

A / CR19 / CO / FINISH + MOVEMENT / FIXING + CAM TYPE

Ordering example: **A / C R 1 9 / C O / 3 B / N 0 4**

■ **ADVISE** Cam position when locked, refer to drawing at right

■ **SPECIFY** Material thickness if ordering spring clip fixing



CAM LOCKS - 20 MM

ROUND AND SQUARE SLIMLINE FACES

Applications

This lock is ideal for use on drawers and doors.

Rotating the key results in 90° or 180° rotary cam movement.

Specifications

- Zinc alloy diecast housing
- Double entry keying
- Key removable in locked and unlocked positions (B movement only)
- Key removable in locked position only (S and A movements only)
- Zinc-plated steel cam
- Stainless steel capped barrel
- One pair of nickel-plated keys per lock

Code Information

KEY SERIES

- 07 500 combinations - non-master keying
- 08 500 combinations - master keying
- 17 2000 combinations - non-master keying
- 18 2000 combinations - master keying

FINISH

- 3 Bright chrome

MOVEMENT

- B 180° clockwise or anti-clockwise to unlock
- S 90° clockwise to unlock
- A 90° anti-clockwise to unlock
- C 90° clockwise or anti-clockwise to unlock (round face only)

FIXING (Refer to page A105 for applications)

- N Nut
- F Across flats spring clip
- R Across rounds spring clip

CAM TYPE

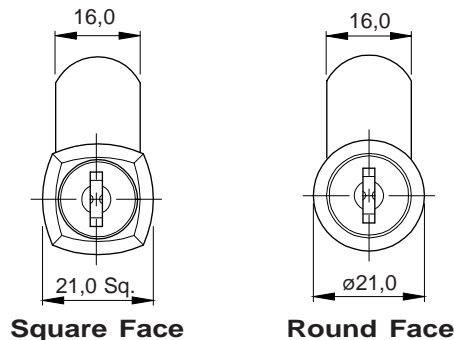
- Refer to page A100 (screw fix cam)



A/CR20

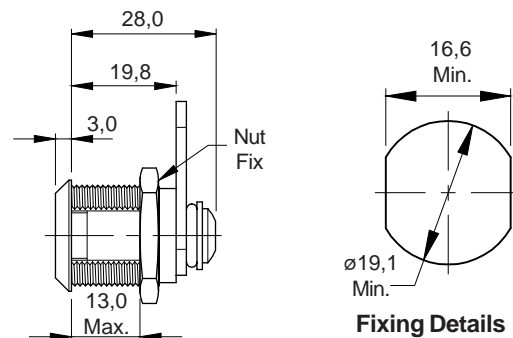
A/CS20

Dimensions/Fixing shown NTS



Square Face

Round Face



Fixing Details

Ordering Details

Measurements shown in mm

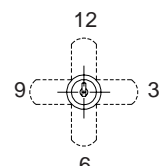
STEP 1 STEP 2 STEP 3 STEP 4

A / CR20 / KEY SERIES / FINISH + MOVEMENT / FIXING + CAM TYPE (Round face)

A / CS20 / KEY SERIES / FINISH + MOVEMENT / FIXING + CAM TYPE (Square face)

Ordering example: A / C R 2 0 / 0 7 / 3 B / N 0 4

- **ADVISE** Cam position when locked, refer to drawing at right
- **ADVISE** Keying requirements, e.g. keyed alike
- **SPECIFY** Material thickness if ordering spring clip fixing (not available on C movement)



CAM LOCKS - 20 MM

QUICK FIX - ROUND AND SQUARE SLIMLINE FACES

Applications

This lock is ideal for use on drawers and doors.

Rotating the key results in 90° or 180° rotary cam movement.

The lock can be fitted in seconds by simply pushing into the panel cutout.

Suits panels 0.5 to 0.9 mm thick. Ask for optional panel thicknesses.

Specifications

- Zinc alloy diecast housing
- Double entry keying
- Key removable in locked and unlocked positions (B movement only)
- Key removable in locked position only (S and A movements only)
- Zinc-plated steel cam
- Stainless steel capped barrel
- One pair of nickel-plated keys per lock

Code Information

KEY SERIES

- 07** 500 combinations - non-master keying
- 08** 500 combinations - master-keyed
- 17** 2000 combinations - non-master keying
- 18** 2000 combinations - master keying

FINISH

- 3** Bright chrome

MOVEMENT

- B** 180° clockwise or anti-clockwise to unlock
- S** 90° clockwise to unlock
- A** 90° anti-clockwise to unlock

FIXING (Refer to page A105 for applications)

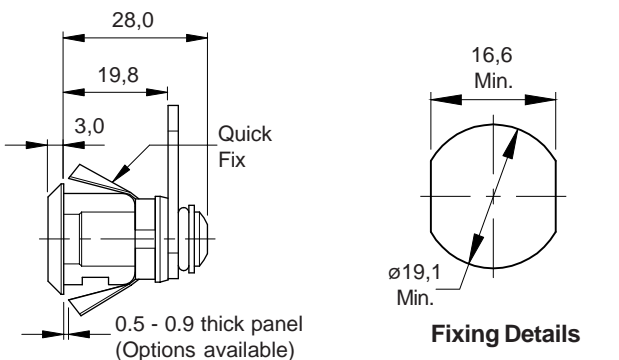
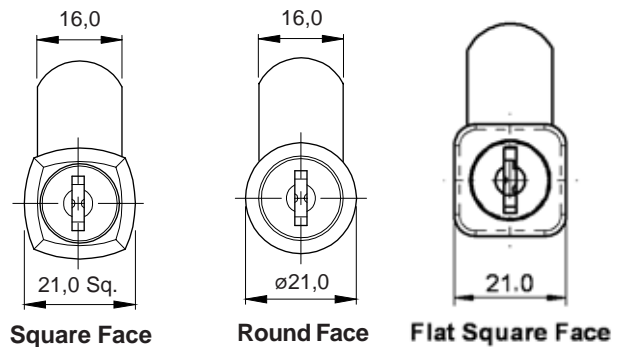
- Z** Quick fix spring clip (oil-dipped finish)
- Y** Quick fix spring clip (silver finish - Dacromat)

CAM TYPE

- Refer to page A100



Dimensions/Fixing shown NTS



Measurements shown in mm

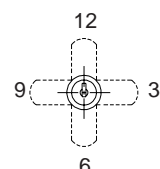
Ordering Details

STEP 1 **STEP 2** **STEP 3** **STEP 4**
A / CRX2 / KEY SERIES / FINISH + MOVEMENT / FIXING + CAM TYPE (Round face)

A / CSX2 / KEY SERIES / FINISH + MOVEMENT / FIXING + CAM TYPE (Square face)

Ordering example: **A / C R X 2 / 0 7 / 3 B / Z 0 4**

- **ADVISE** Cam position when locked, refer to drawing at right
- **ADVISE** Keying requirements, e.g. keyed alike

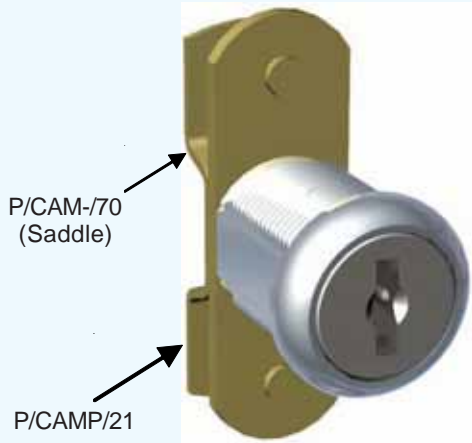


CAM LOCK AND LATCH LOCK

2-POINT AND 3-POINT LOCKING

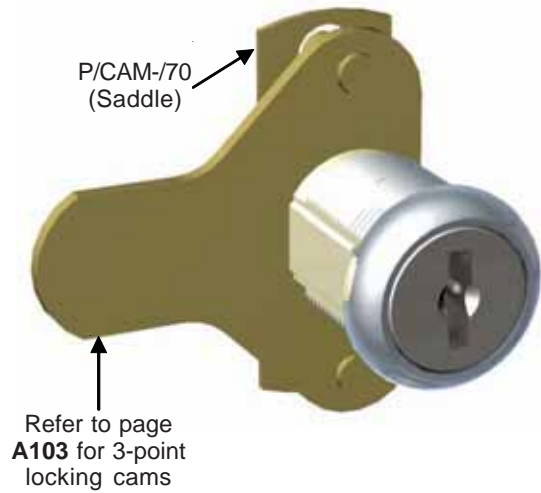
Camlock - 2-Point Locking

Cam locks 16 mm and above are available as 2-point locks. Refer to **Section A** for cam lock details.



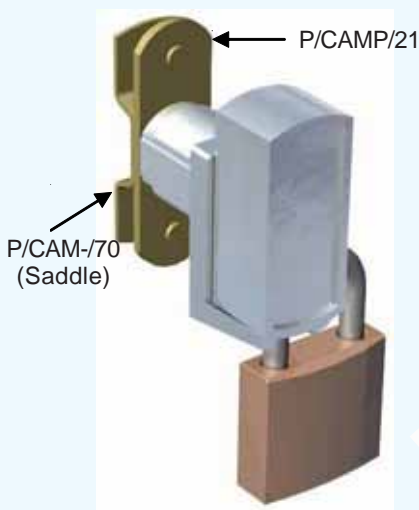
Camlock - 3-Point Locking

Cam locks 16 mm and above are available as 3-point locks. Refer to **Section A** for cam lock details.



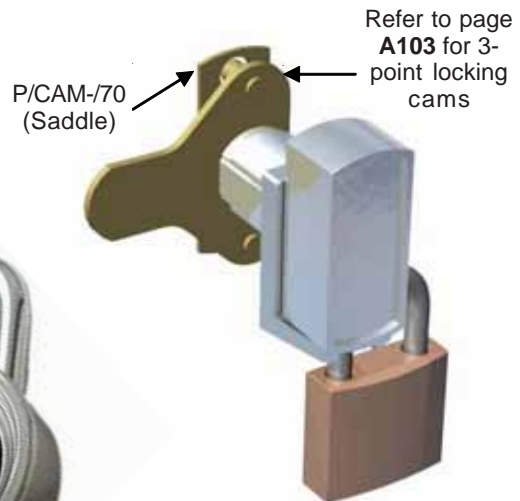
Latch Lock - 2-Point Locking

Latch locks are available as 2-point locks. Refer to page **A103** for latch lock details.



Latch Lock - 3-Point Locking

Latch locks are available as 3-point locks. Refer to page **A103** for latch lock details.



Combination padlocks available on request

KNOB - 3-POINT LOCKING

FOR DOORS

Applications

This lock is ideal for use on doors.

It features 3-point locking. The first point is at the cam, the second and third are at the end of the locking bars (not supplied). It can be used alone or as a match to our fixed knobs. The knob is fixed from the rear by two screws.

Specifications

- Zinc alloy diecast rose
- Black Plastic Grip
- Key removable in locked and unlocked positions
- Stainless steel capped barrel
- Supplied with two fixing screws
- One pair of nickel-plated keys per lock

Code Information

KEY SERIES

- 01 200 combinations - non-master keying
- 02 200 combinations - master keying
- 11 2000 combinations - non-master keying
- 12 2000 combinations - master keying

ROSE FINISH

- 3 Bright chrome
- 4 Satin chrome

MOVEMENT

- S 90° clockwise to unlock

GRIP FINISH

- 6 Black

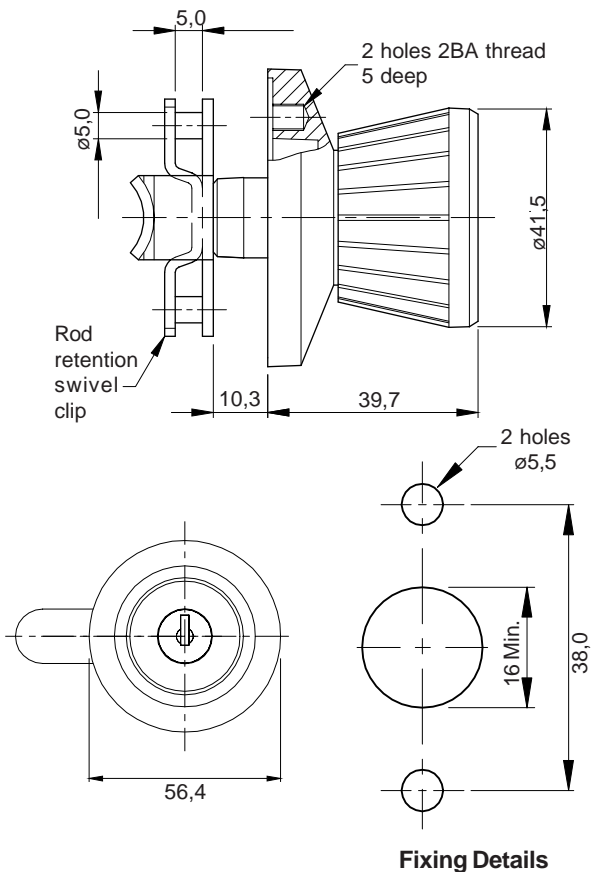
CAM TYPE

- Refer to page A103



A/K4L2

Dimensions/Fixing shown NTS



Fixing Details

Ordering Details

Measurements shown in mm

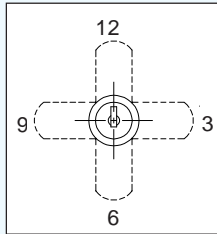
- | | | | |
|---|---------------|---------------|---------------|
| STEP 1 | STEP 2 | STEP 3 | STEP 4 |
| A / K4L2 / KEY SERIES / ROSE FINISH + MOVEMENT / GRIP FINISH + CAM TYPE (Cam/left side) | | | |
| Ordering example: A / K4L2 / 01 / 3 S / 6 74 | | | |

CAMS - TYPE A

Ordering Considerations

1. LOCKED POSITION

Locked position of cam must be specified as viewed from the front of lock. e.g. 12 o'clock.



2. BENT CAMS

For a bent cam, state whether bend is 'stepped away' or 'stepped towards' the lock front.

3. NOTCHING AND CAULKING OF CAMS

Notching and caulking of cams to the above details is an additional operation and can be supplied on request.

4. NOTCHED CAMS

For a notched cam, state direction to unlock, i.e. clockwise or anti-clockwise.

5. OTHER CAM SIZES

Other cam sizes and thicknesses are available on request. We have a large number of cams to suit your particular needs and applications.

Cam Ordering Codes

Cam No.	Dimension L	Dimension B
01	14,3	
02	19,0	
04	29,4	
06	35,0	
09	44,5	
11	50,8	
13	57,2	
51	29,0	3,2
52	41,0	3,2
53	33,5	4,8
54	50,5	4,8
55	31,0	6,3
57	51,7	8,0
60	39,0	11,1
61	31,1	12,7

EXAMPLE

The cam lock shown is specified as:

A / CR16 / 11 / 3 B / N 52

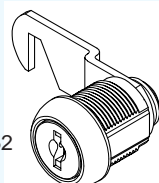
Cam locked at 9 o'clock.

Bent cam to be stepped away.

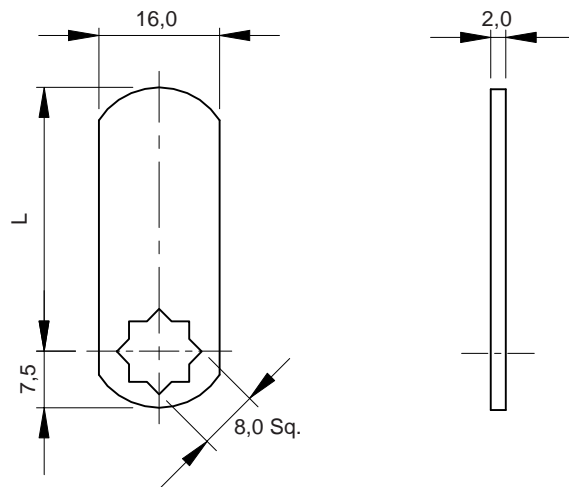
Cam to be notched .

Clockwise to unlock.

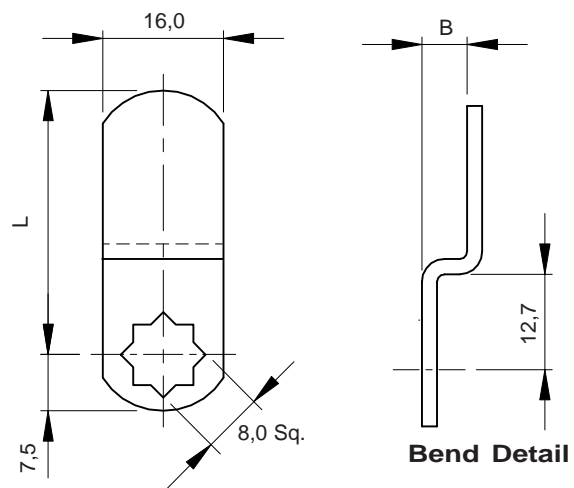
Cam Type 52



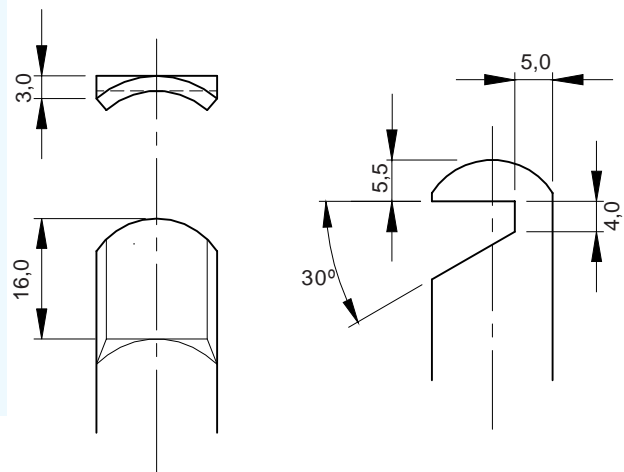
Standard Cams



Bent Cam Detail



Alternative Cam Ends



Dimensions/Fixing shown NTS
Measurements shown in mm

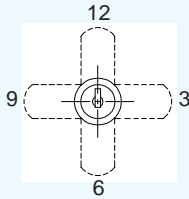
CAMS - TYPE N

FOR USE ON A/CR11 AND A/CS11 ONLY WITH 11 AND 12 SERIES KEYING

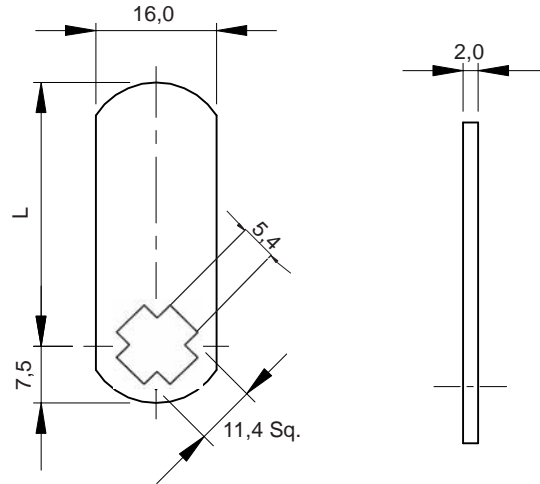
Ordering Considerations

LOCKED POSITION

Locked position of cam must be specified as viewed from the front of lock, e.g. 12 o'clock.

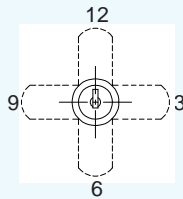


Standard Cams



Cam Ordering Codes

Cam No.	Dimension L	Dimension B
65	28,5	
66	38,0	
67	57,2	
WB	27.5	3.2



Ask for available options.

EXAMPLE

The cam lock shown is specified as:

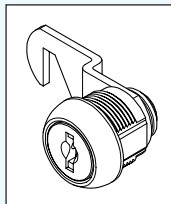
A / C R 1 1 / 1 1 / 3 B / W B

Cam locked at 9 o'clock.

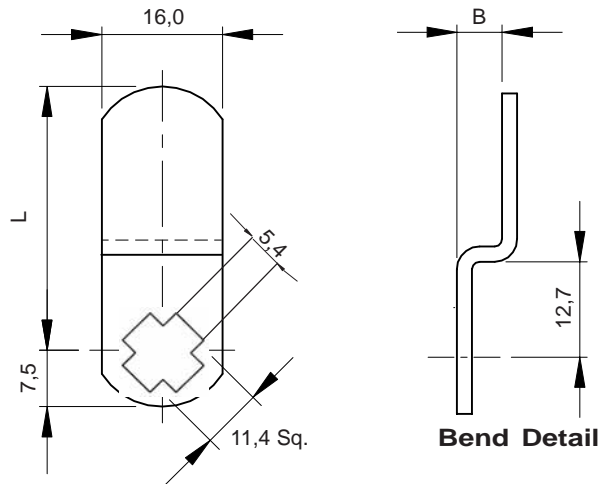
Bent cam to be stepped away.

Cam to be notched .

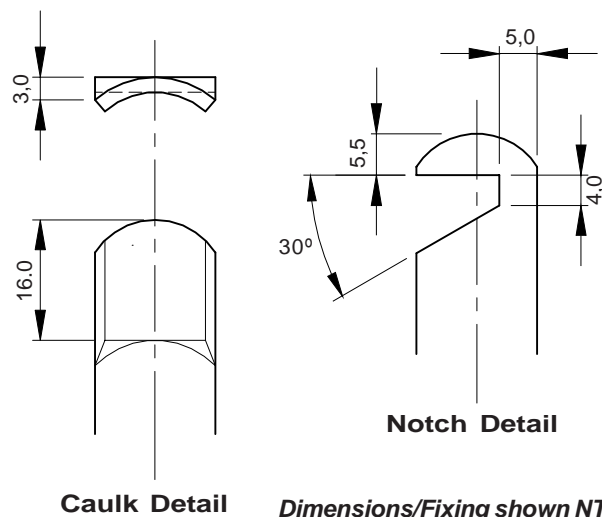
Clockwise to unlock.



Bent Cam Detail



Alternative Cam Ends



Caulk Detail

Notch Detail

Dimensions/Fixing shown NTS
Measurements shown in mm

CAMS - 2-POINT AND 3-POINT LOCKING

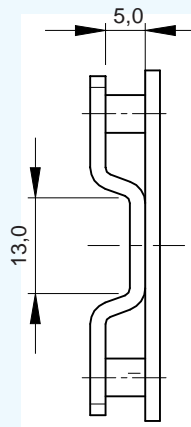
Applications

These cams are designed for the K4L2 lock.

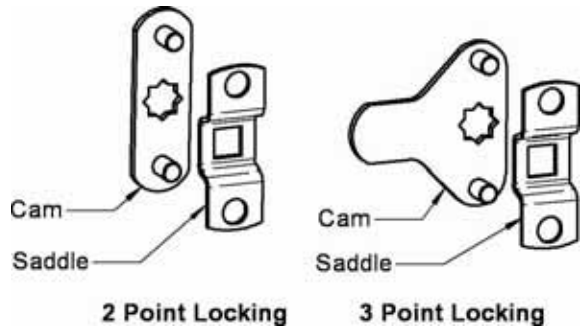
They consist of two pieces: the cam and the saddle. The saddle and cam sandwich the locking rods, thus retaining them whilst still allowing them to swivel.

Cam No.	Dimension L	Dimension B	End Detail
71	37		Flat
72	65		Flat
73	63.5	3,2	Caulked
74	57.5	9,5	Caulked
75	54.5	12,7	Caulked
76	51	16,0	Caulked
2-pt cam	N/A	N/A	N/A

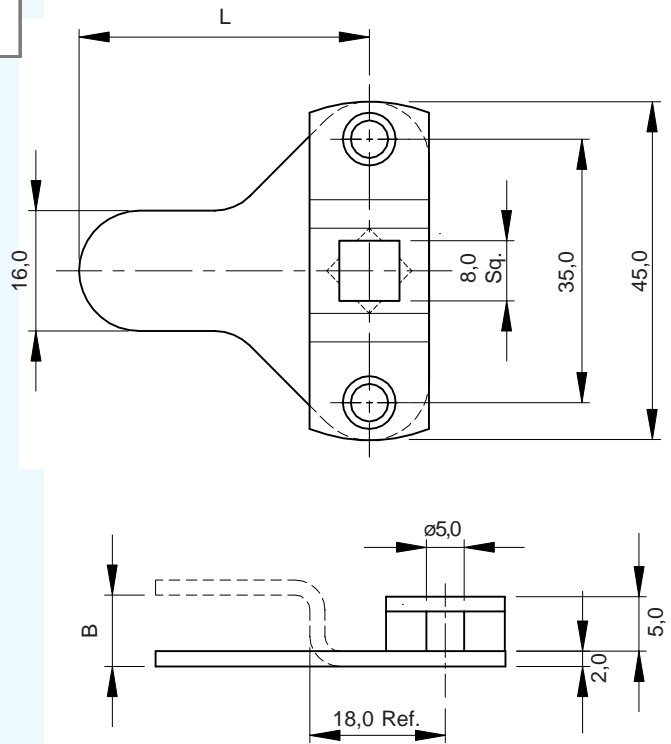
All 3-point locking cams are supplied complete with saddles.



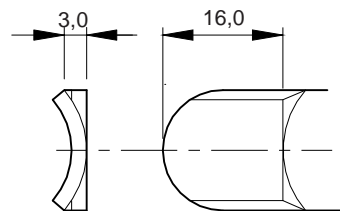
View from front of lock



Dimensions/Fixing shown NTS



Caulk Detail



Measurements shown in mm

CAM LOCK FIXING TYPES

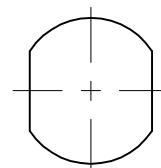
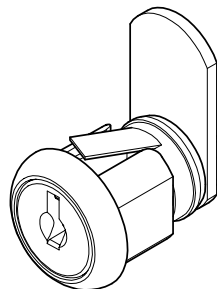
Metal Fixing for Cam Locks

Suits panels with fixing hole as shown

QUICK FIX TYPES Q, K, Z AND Y

Fixing types **Q, K, Z** and **Y** are called quick fix. They are only available on housings which are 19 mm to 20 mm long.

They suit metal panels 0.5 to 0.9 mm thick. Options are available.



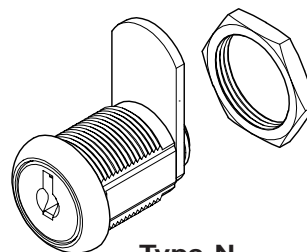
Fixing Hole

Types Q, K, Z and Y

NUT FIXING TYPE N

Fixing type **N** is a nut fix. It is very versatile due to its ability to accommodate panels of various thicknesses.

Two widths are available.



Type N

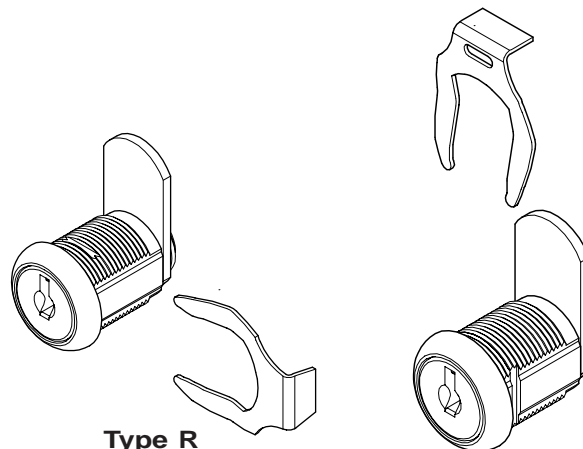
SPRING CLIP TYPES R AND F

Fixing types **R** and **F** are very similar in their use.

They are ideal in the following situations:

- On housings where quick fix is not offered but where rapid fixing is required.
- Where rapid fixing is required on panels which are thicker than 0.9 mm.
- Where nut fix is not practically possible.

When ordering, the panel thickness has to be specified so that we can machine slots in the correct position on the housing.



Type R

Type F

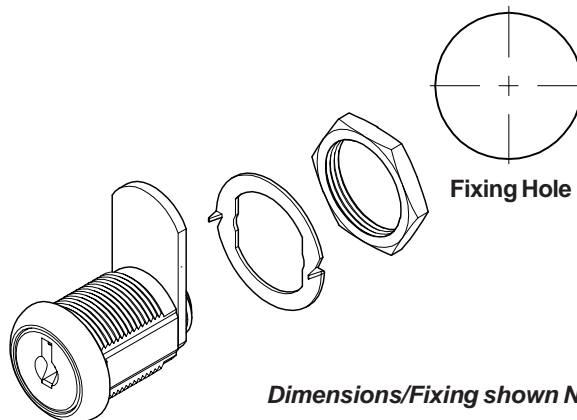
Wooden Fixing for Cam Locks

Suits timber panels with a round fixing hole

WOODEN FIXING TYPE W

Fixing type **W** is suitable for wood fixing.

It consists of a nut and pronged washer. The pronged washer bites into the timber when the nut is tightened. This prevents the lock from spinning in a round hole.



Fixing Hole

Dimensions/Fixing shown NTS
Measurements shown in mm