

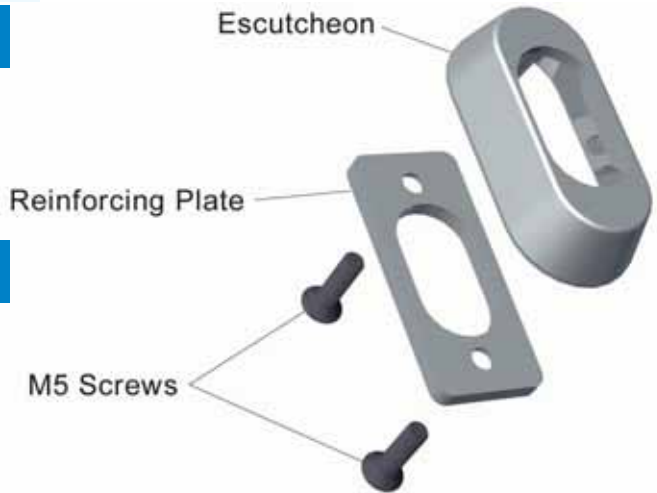
SECURITY CYLINDER TRIM

Applications

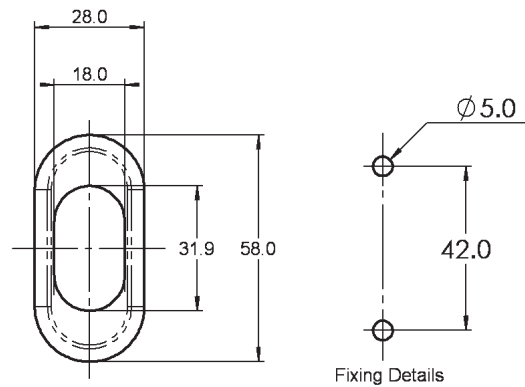
A heavy duty trim for security cylinders where the cylinder protrudes beyond the face of the door.

Specifications

- Diecast zinc escutcheon and reinforcing plate
- Satin chrome-plated



Dimensions/Fixing shown NTS



Measurements shown in mm

Ordering Details

STEP 1 STEP 2 STEP 3
A / T R I M / 4

Ordering example: A / T R I M / 4